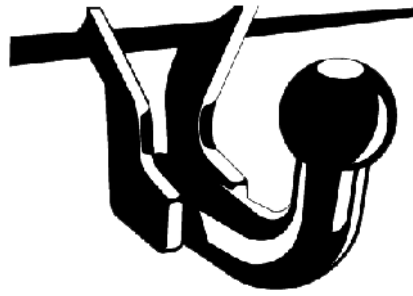
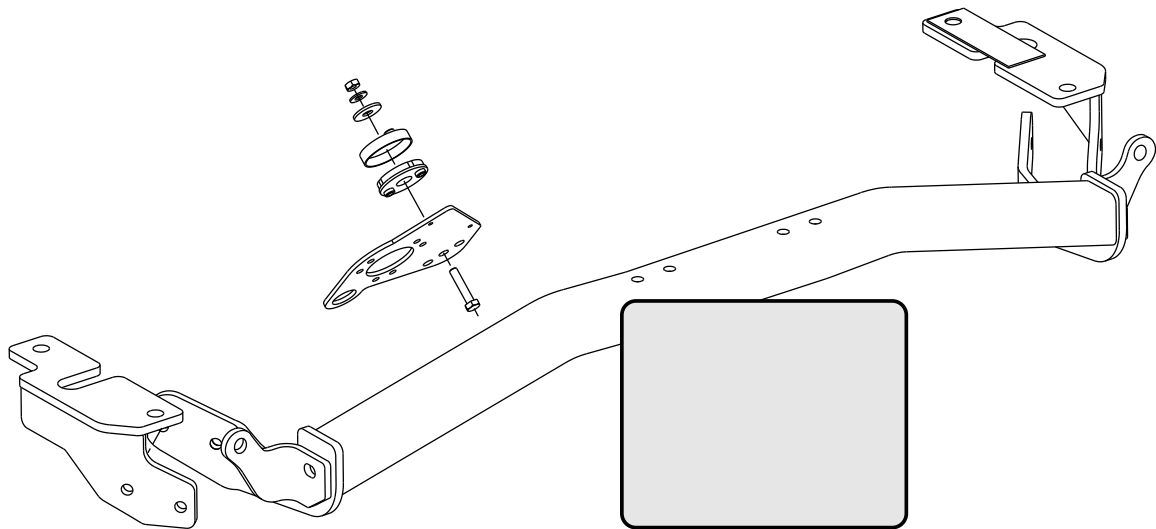


bosal

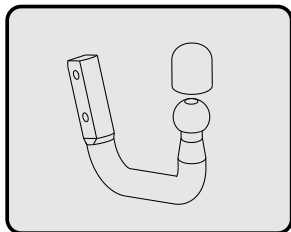


CITROEN C5 BREAK

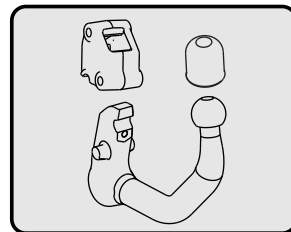
2001


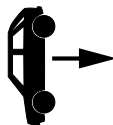
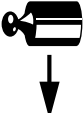
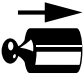



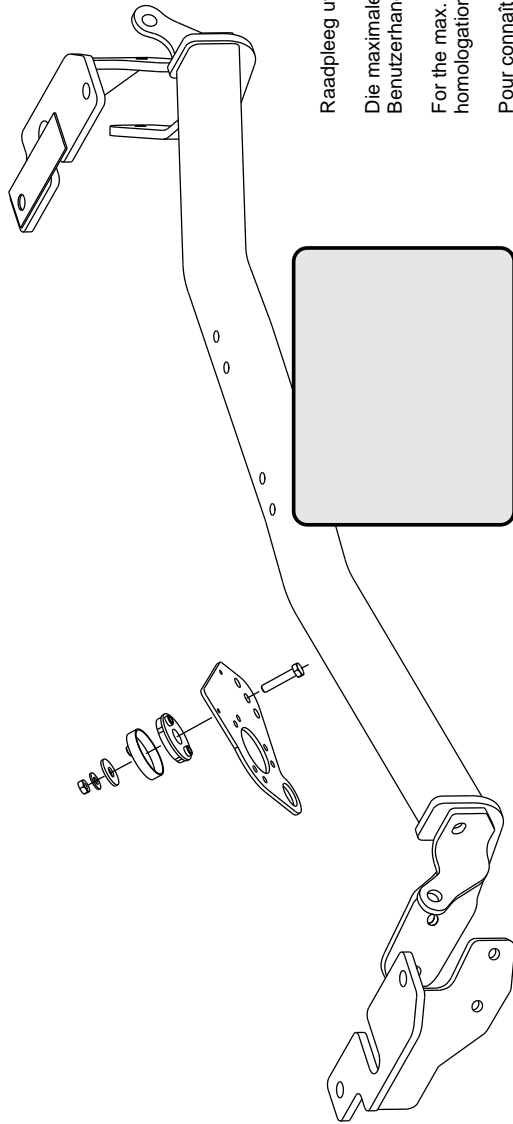
032161



032273

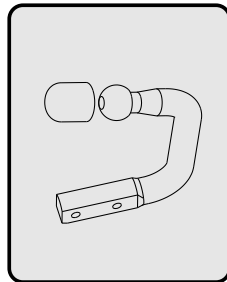


Montagehandleiding Fitting instruction Montageanleitung Description de montage Instrucciones de montaje Montagevejledning Monteringshandleiding Asennusohje Istruzioni di montaggio Návod k montáži	CITROEN C5 BREAK 2001 →	EC 94/20 	 2168 kg	 2000 kg	 85 kg	 10,2 kN	NL D GB N SF I F E DK S CS
							(c) BOSAL 27/07/2005

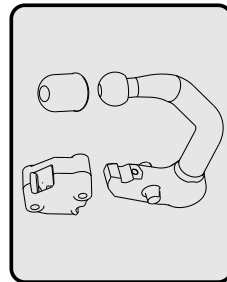


Raadpleeg uw dealer voor de max. massa die uw wagen mag trekken.
 Die maximale Anhängelast ihres Fahrzeuges können Sie im Fahrzeugschein oder im Benutzerhandbuch nachlesen.
 For the max. trailer weight of your car please refer to the owner's manual or your car homologation documents.
 Pour connaître le poids maxi remorquable pour votre voiture consulter la notice d'utilisation de votre voiture ou la carte grise.
 Consulte a su distribuidor sobre el peso máximo que puede remolcar su vehículo.
 Deres forhandler vil kunne oplyse Dem om den højst tilladte vægt efter Deres køretøj.
 Ta kontakt med forhandleren angående den maksimale vekt som bilen kan trekke.
 Se handboken eller registreringsbevis for max släpavagnsvikt för din bil.
 Tarkista suurin sallittu vetopaino ajoneuvon ohjekirjasta tai rekisteriotteesta.
 Per conoscere il peso massimo rimorchiabile dalla propria autovettura, fare riferimento al manuale d'istruzione od ai documenti di omologazione della vettura stessa.
 Maximální přípustná hmotnost přívěsu pro Vaše vozidlo je uvedena v technickém průkazu, nebo v uživatelské příručce.

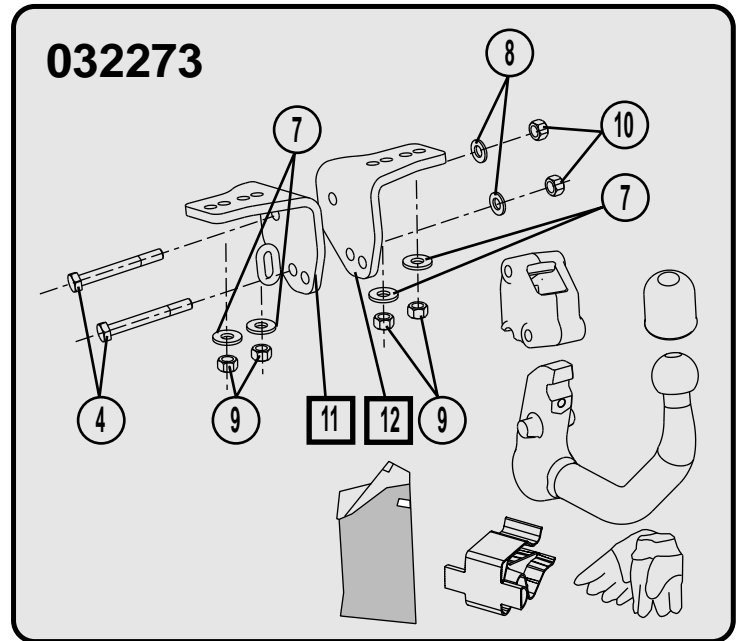
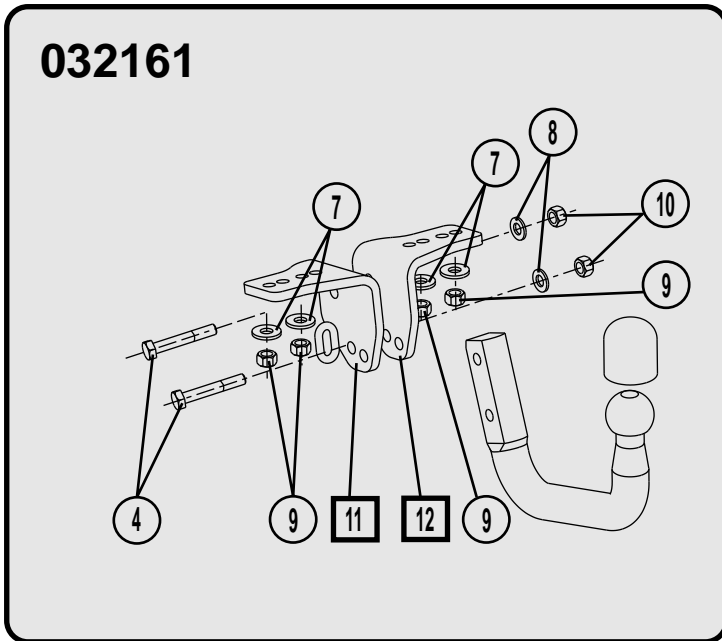
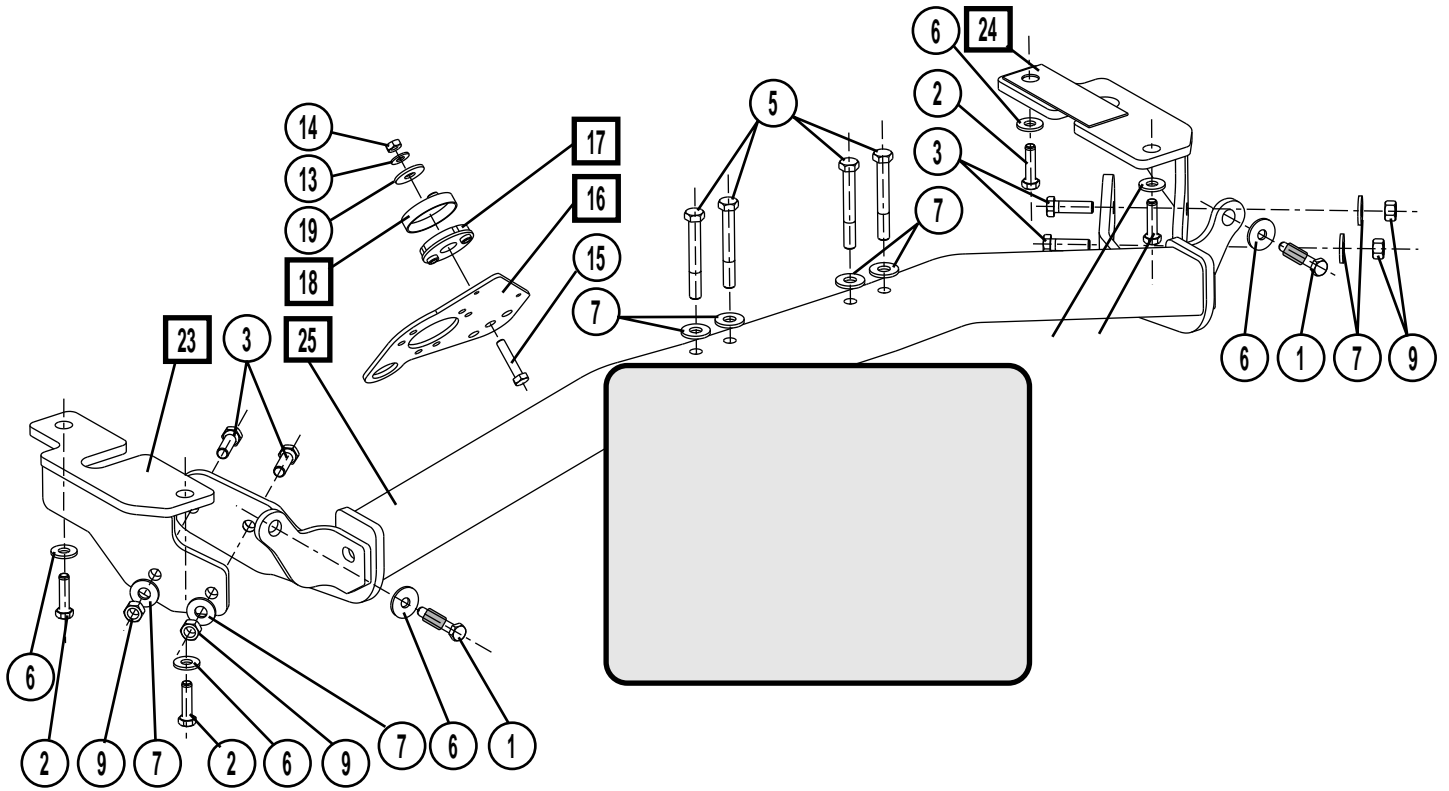
032161

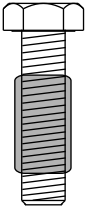
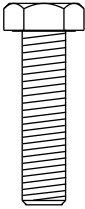
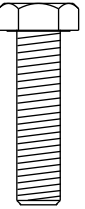
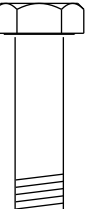





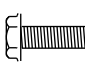







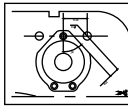

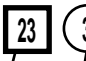










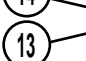



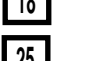



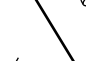




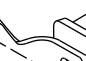





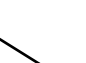
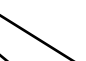
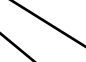

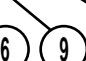
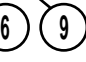
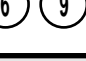


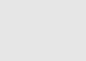
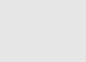
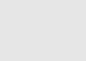
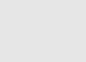
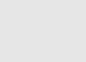















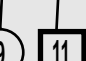
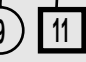
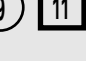

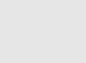
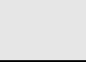












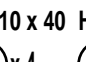
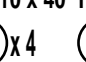
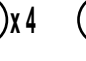
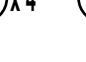









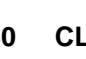







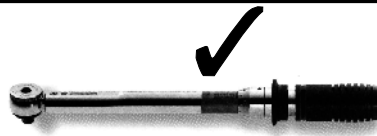
032273



Meegeleverde onderdelen	Piezas incluidas	Mukana tulevat osat
Mitgelieferte Befestigungsteile	Medfølgende komponenter	Componenti forniti a corredo
Provided parts	Vedlagt festemateriell	Dodané upevňovací díly
Materiel de fixation joint	Medföljande komponenter	

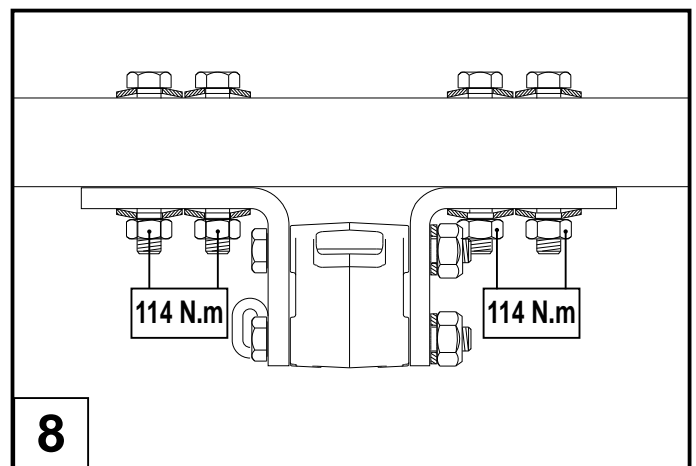
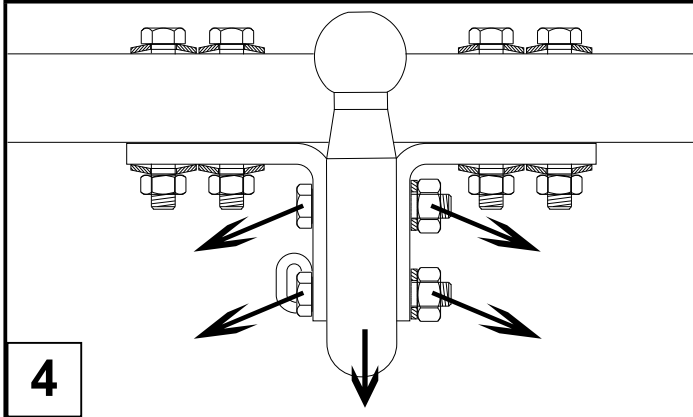
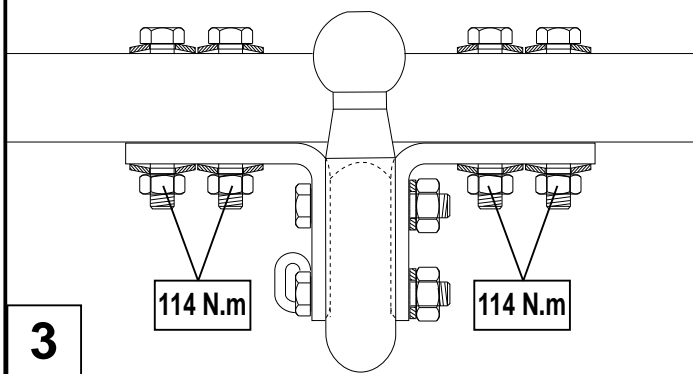
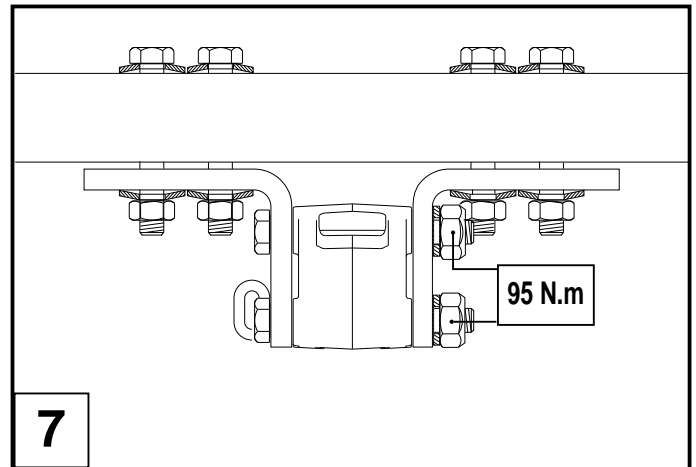
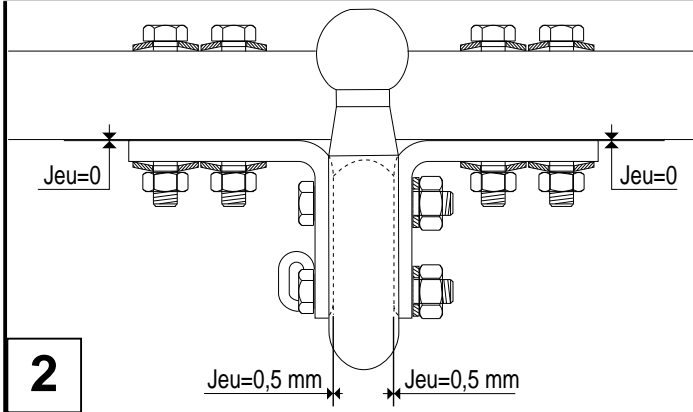
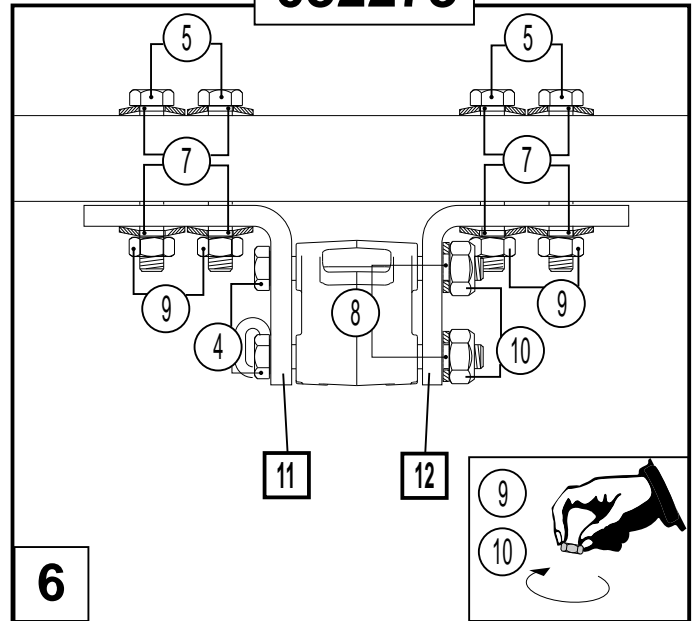
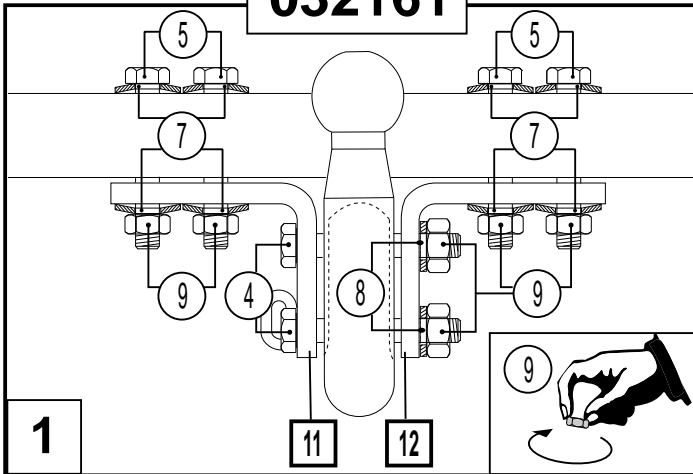


- | | | | | | | | | | | |
|---|---|---|---|---|---|---------------|--|-----------|---|-----------------------|
|  |  |  |  |  |  | 9 x 8 |  | 11 |  | (Nylon) 13 x 1 |
| HM 10 x 40 | HM 10 x 40 | HM 12 x 40 | | | HM 12 | | x 1 | | HM 6 | 14 x 1 |
| 1 x 2 | 2 x 4 | 3 x 4 | | |  | 10 x 2 | | |  | 15 x 1 |
| | | | | | Hewistop M12 | | | |  | 12 x 1 |
|  | 8 x 2 | | | | | | | |  | 16 x 1 |
| Z12 | | | | | | | | |  | 17 x 1 |
| | | | HM 12 x 70 | | | | | |  | 18 x 1 |
| | | | HM 12 x 105 | | | | | |  | 19 x 1 |
|  | 21 x 2 | | | | | | | |  | 20 x 1 |
| Int.19,5 Ext.30 | | | | | | | | |  | 22 x 2 |
| | | | | | | | | |  | 23 x 1 |
| | | | | | | | | |  | 24 x 1 |
| | | | | | | | | |  | 25 x 1 |
| | | | | | | | | |  | 26 x 1 |
| | | | | | | | | |  | 27 x 1 |
| | | | | | | | | |  | 28 x 1 |
| | | | | | | | | |  | 29 x 1 |
| | | | | | | | | |  | 30 x 1 |
| | | | | | | | | |  | 31 x 1 |
| | | | | | | | | |  | 32 x 1 |
| | | | | | | | | |  | 33 x 1 |
| | | | | | | | | |  | 34 x 1 |
| | | | | | | | | |  | 35 x 1 |
| | | | | | | | | |  | 36 x 1 |
| | | | | | | | | |  | 37 x 1 |
| | | | | | | | | |  | 38 x 1 |
| | | | | | | | | |  | 39 x 1 |
| | | | | | | | | |  | 40 x 1 |
| | | | | | | | | |  | 41 x 1 |
| | | | | | | | | |  | 42 x 1 |
| | | | | | | | | |  | 43 x 1 |
| | | | | | | | | |  | 44 x 1 |
| | | | | | | | | |  | 45 x 1 |
| | | | | | | | | |  | 46 x 1 |
| | | | | | | | | |  | 47 x 1 |
| | | | | | | | | |  | 48 x 1 |
| | | | | | | | | |  | 49 x 1 |
| | | | | | | | | |  | 50 x 1 |
| | | | | | | | | |  | 51 x 1 |
| | | | | | | | | |  | 52 x 1 |
| | | | | | | | | |  | 53 x 1 |
| | | | | | | | | |  | 54 x 1 |
| | | | | | | | | |  | 55 x 1 |
| | | | | | | | | |  | 56 x 1 |
| | | | | | | | | |  | 57 x 1 |
| | | | | | | | | |  | 58 x 1 |
| | | | | | | | | |  | 59 x 1 |
| | | | | | | | | |  | 60 x 1 |
| | | | | | | | | |  | 61 x 1 |
| | | | | | | | | |  | 62 x 1 |
| | | | | | | | | |  | 63 x 1 |
| | | | | | | | | |  | 64 x 1 |
| | | | | | | | | |  | 65 x 1 |
| | | | | | | | | |  | 66 x 1 |
| | | | | | | | | |  | 67 x 1 |
| | | | | | | | | |  | 68 x 1 |
| | | | | | | | | |  | 69 x 1 |
| | | | | | | | | |  | 70 x 1 |
| | | | | | | | | |  | 71 x 1 |
| | | | | | | | | |  | 72 x 1 |
| | | | | | | | | |  | 73 x 1 |
| | | | | | | | | |  | 74 x 1 |
| | | | | | | | | |  | 75 x 1 |
| | | | | | | | | |  | 76 x 1 |
| | | | | | | | | |  | 77 x 1 |
| | | | | | | | | |  | 78 x 1 |
| | | | | | | | | |  | 79 x 1 |
| | | | | | | | | |  | 80 x 1 |
| | | | | | | | | |  | 81 x 1 |
| | | | | | | | | |  | 82 x 1 |
| | | | | | | | | |  | 83 x 1 |
| | | | | | | | | |  | 84 x 1 |
| | | | | | | | | |  | 85 x 1 |
| | | | | | | | | |  | 86 x 1 |
| | | | | | | | | |  | 87 x 1 |
| | | | | | | | | |  | 88 x 1 |
| | | | | | | | | |  | 89 x 1 |
| | | | | | | | | |  | 90 x 1 |
| | | | | | | | | |  | 91 x 1 |
| | | | | | | | | |  | 92 x 1 |
| | | | | | | | | |  | 93 x 1 |
| | | | | | | | | |  | 94 x 1 |
| | | | | | | | | |  | 95 x 1 |
| | | | | | | | | |  | 96 x 1 |
| | | | | | | | | |  | 97 x 1 |
| | | | | | | | | |  | 98 x 1 |
| | | | | | | | | |  | 99 x 1 |
| | | | | | | | | |  | 100 x 1 |
| | | | | | | | | |  | 101 x 1 |
| | | | | | | | | |  | 102 x 1 |
| | | | | | | | | |  | 103 x 1 |
| | | | | | | | | |  | 104 x 1 |
| | | | | | | | | |  | 105 x 1 |
| | | | | | | | | |  | 106 x 1 |
| | | | | | | | | |  | 107 x 1 |
| | | | | | | | | |  | 108 x 1 |
| | | | | | | | | |  | 109 x 1 |
| | | | | | | | | |  | 110 x 1 |
| | | | | | | | | |  | 111 x 1 |
| | | | | | | | | |  | 112 x 1 |
| | | | | | | | | |  | 113 x 1 |
| | | | | | | | | |  | 114 x 1 |
| | | | | | | | | |  | 115 x 1 |
| | | | | | | | | |  | 116 x 1 |
| | | | | | | | | |  | 117 x 1 |
| | | | | | | | | |  | 118 x 1 |

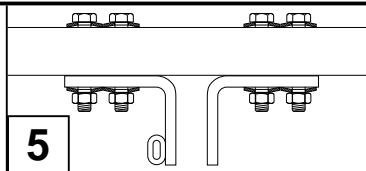


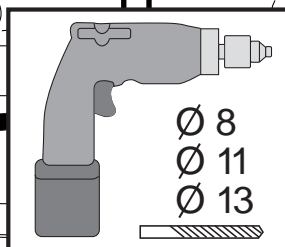
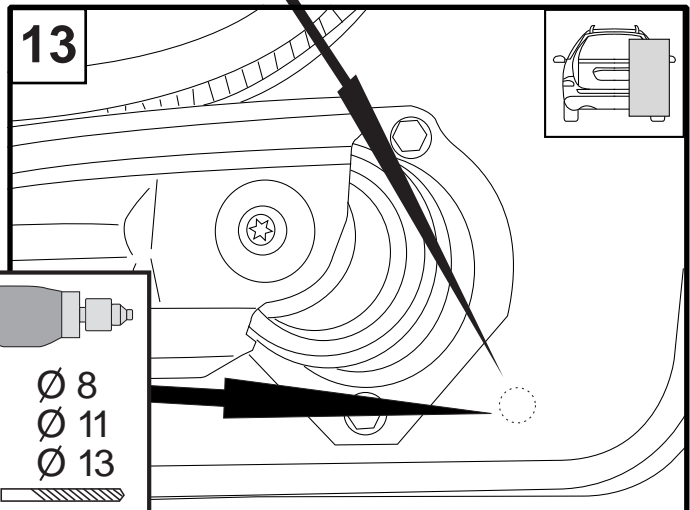
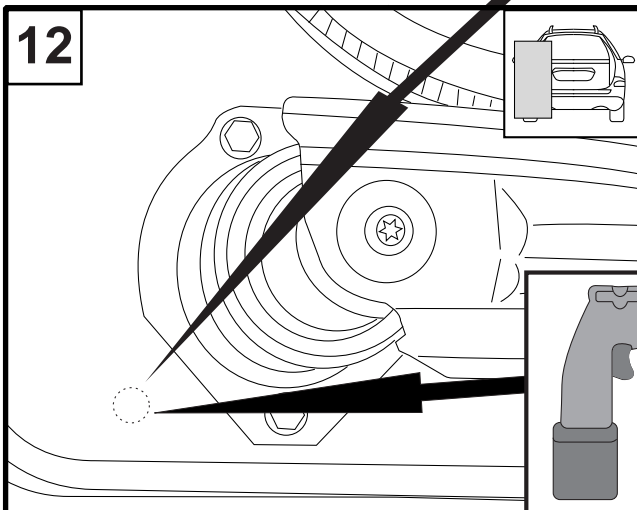
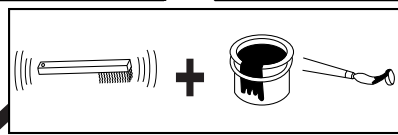
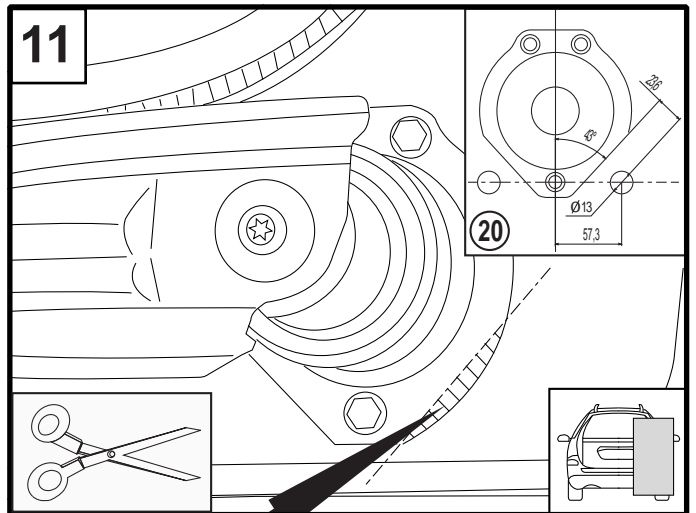
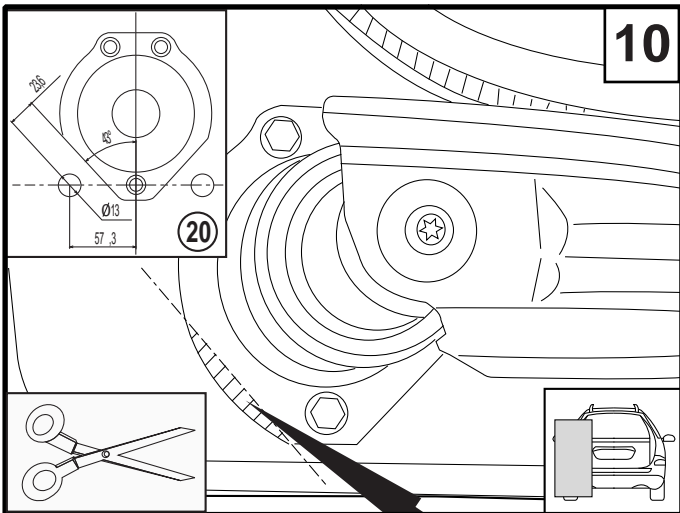
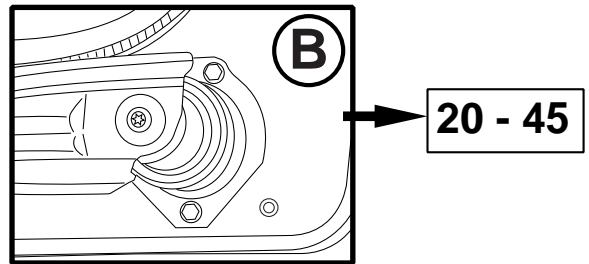
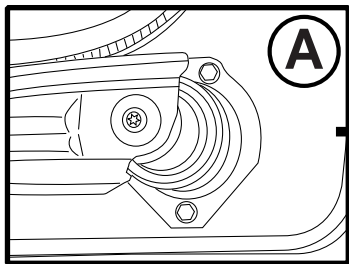
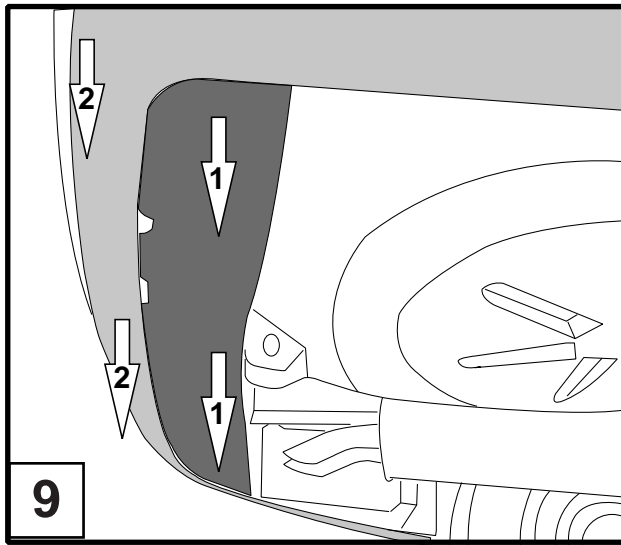
032161

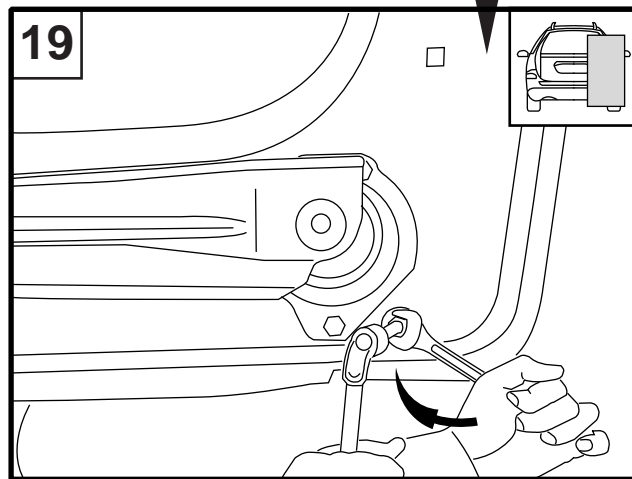
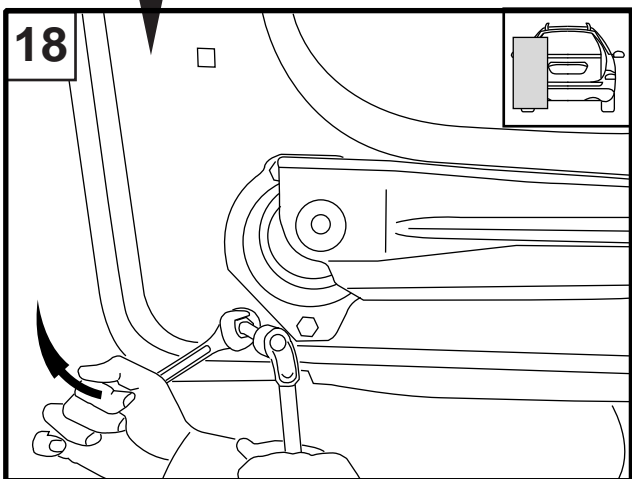
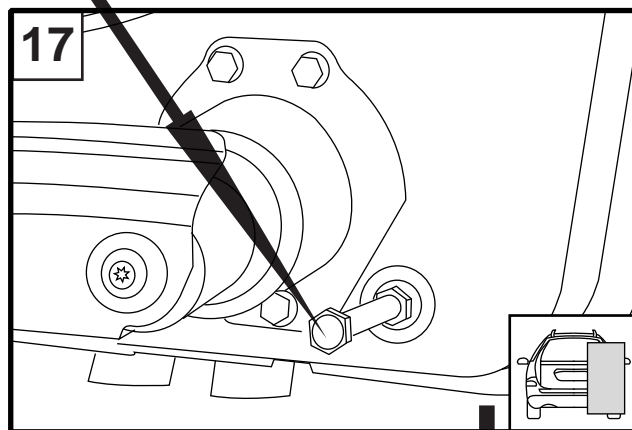
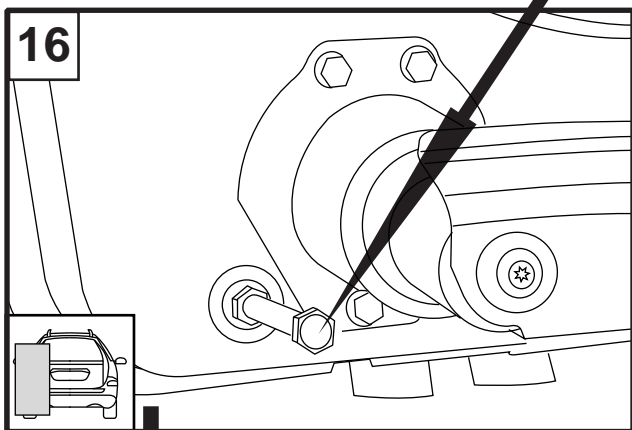
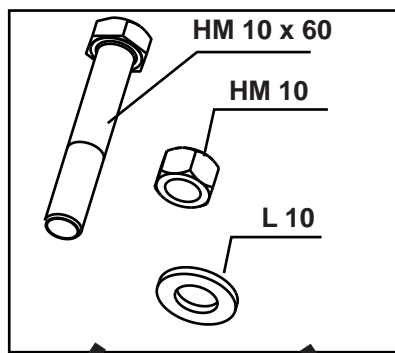
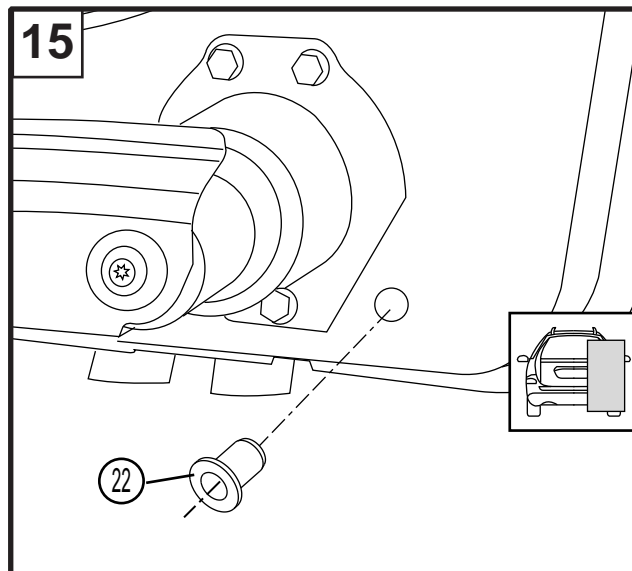
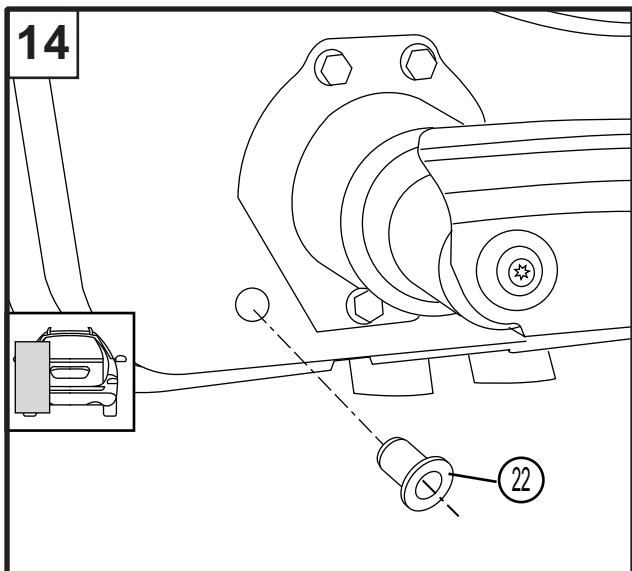
032273

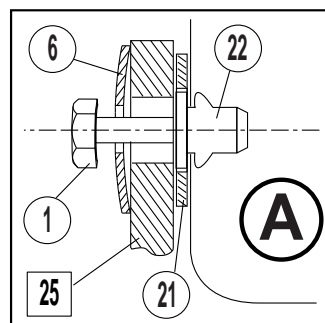
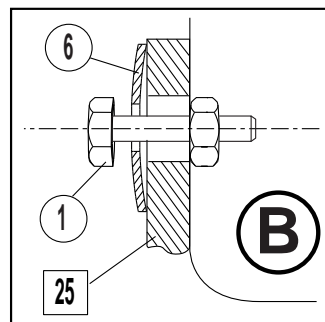
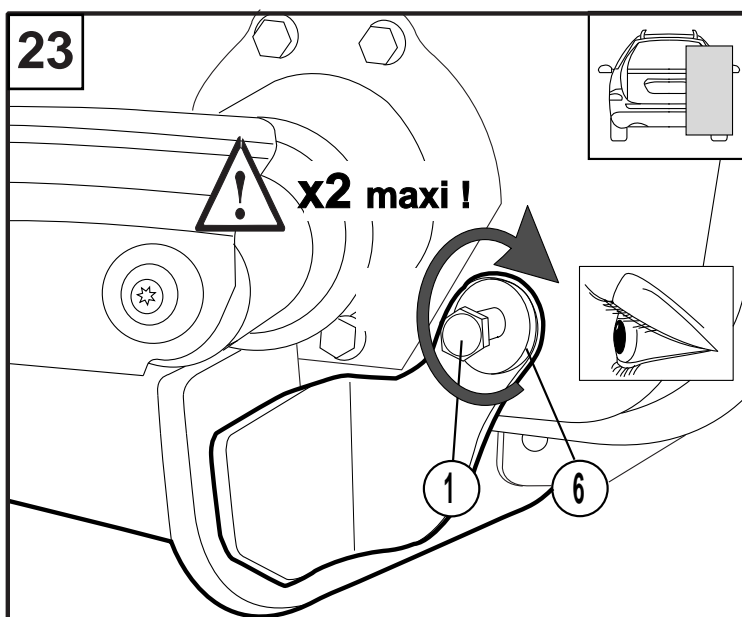
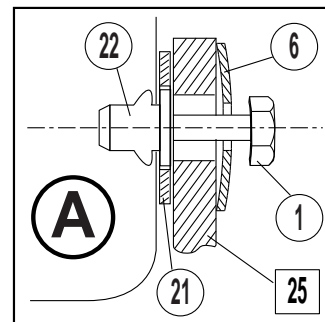
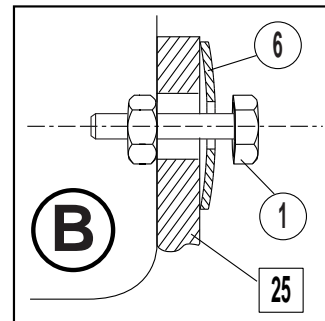
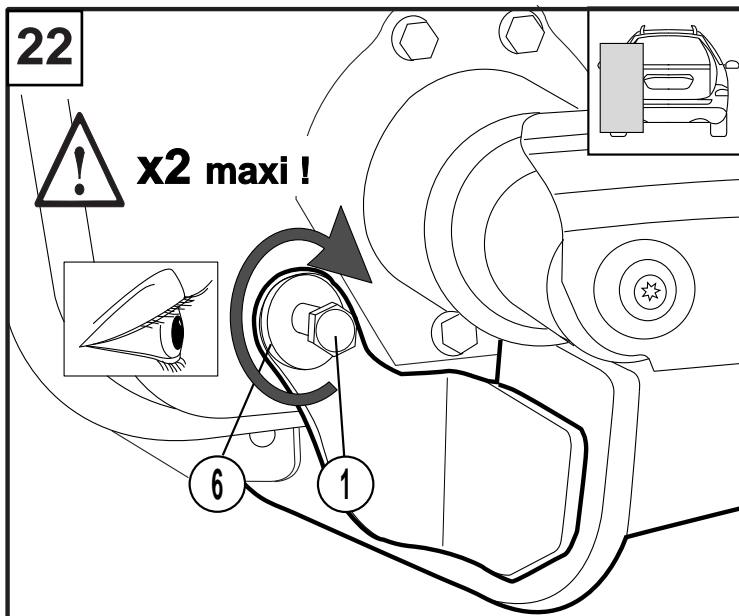
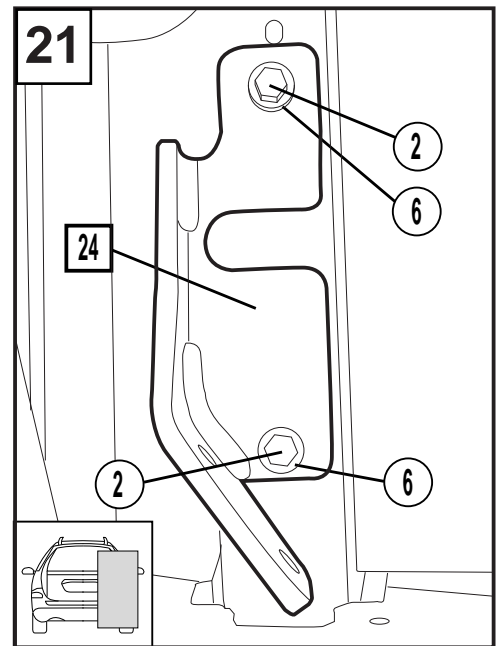
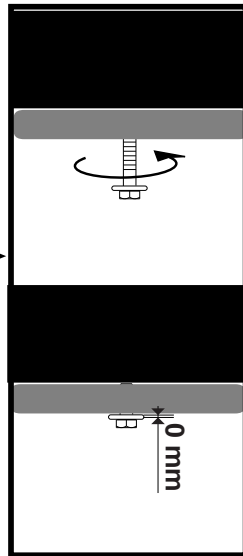
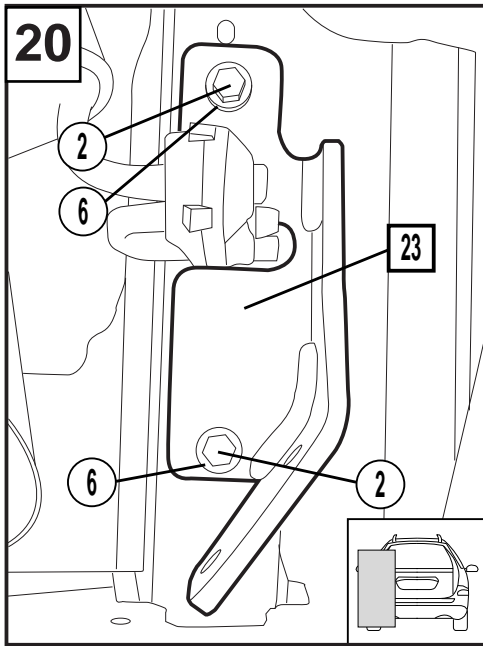


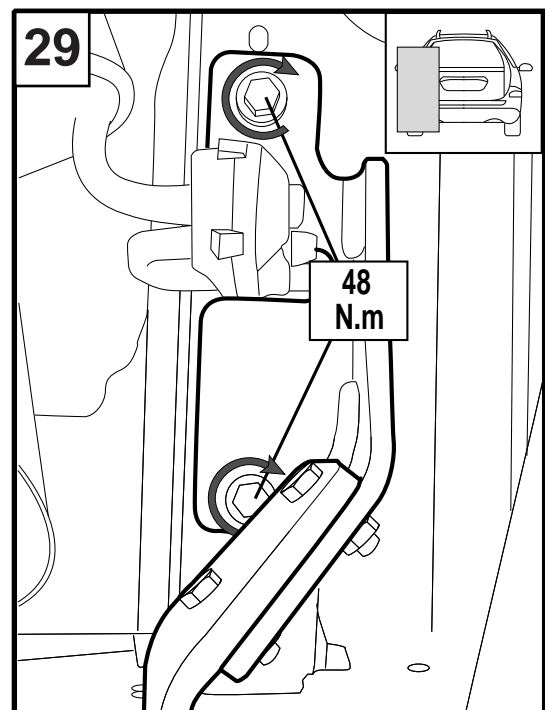
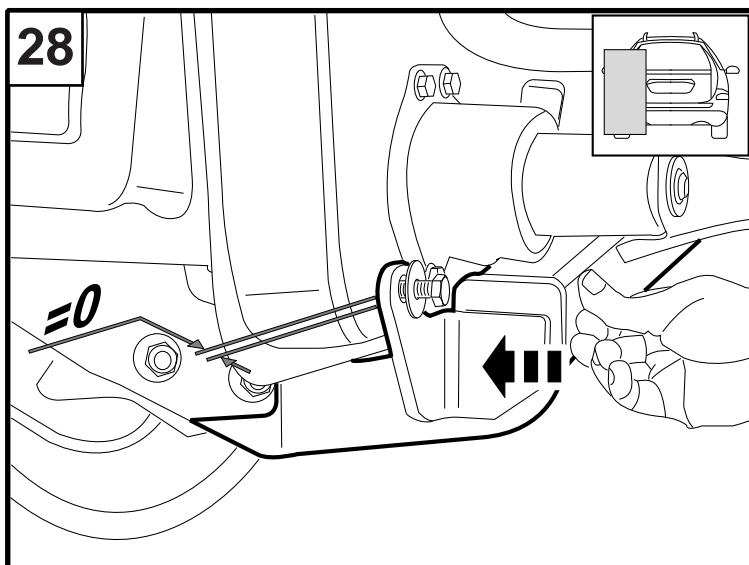
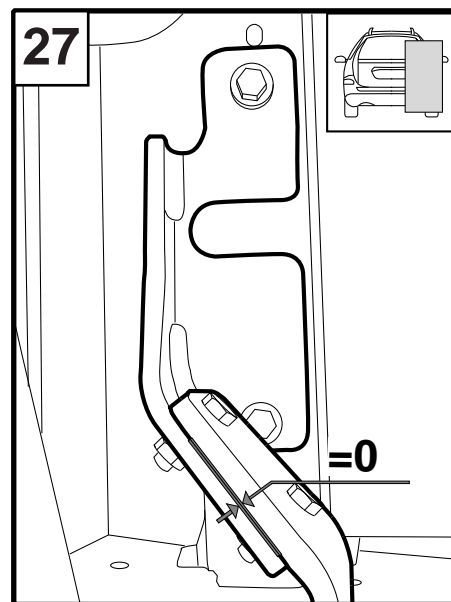
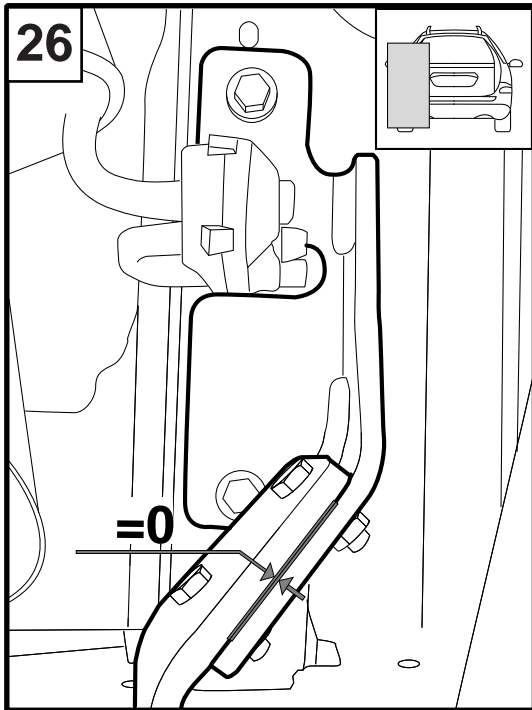
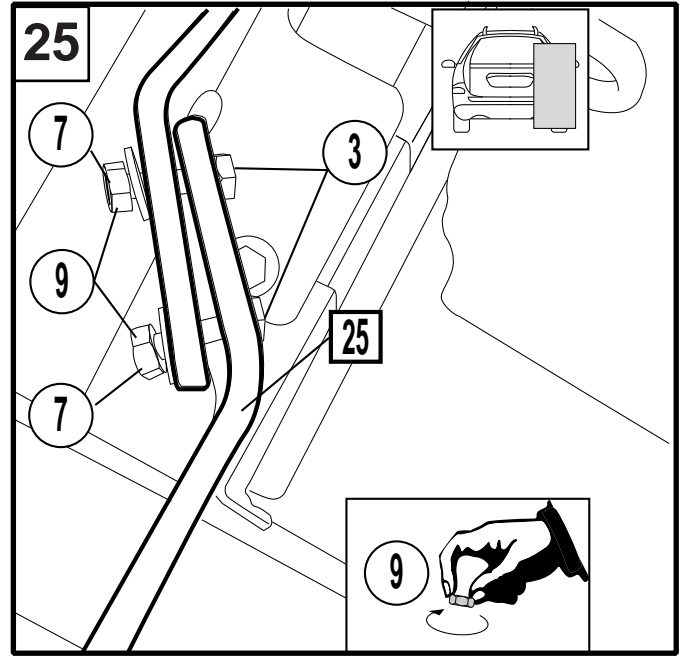
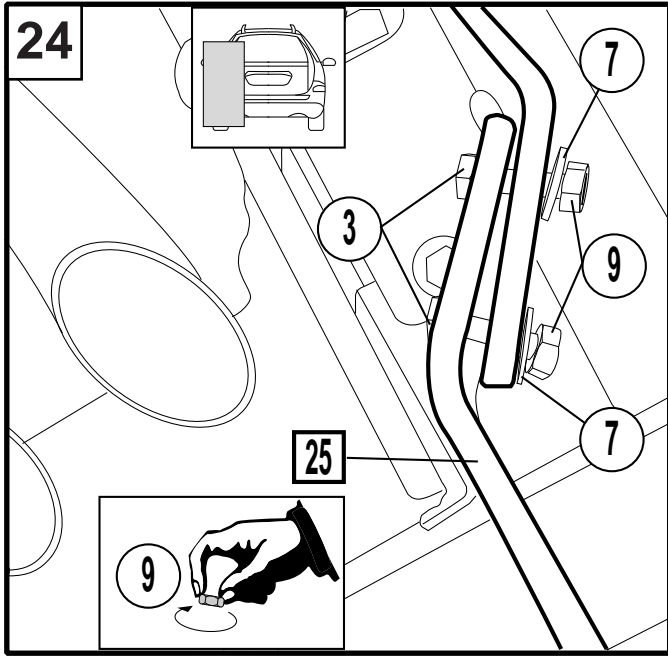
3/10

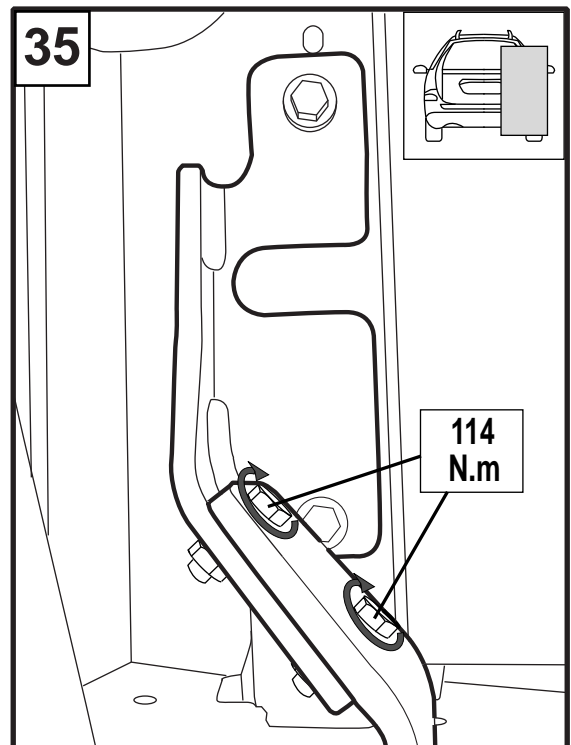
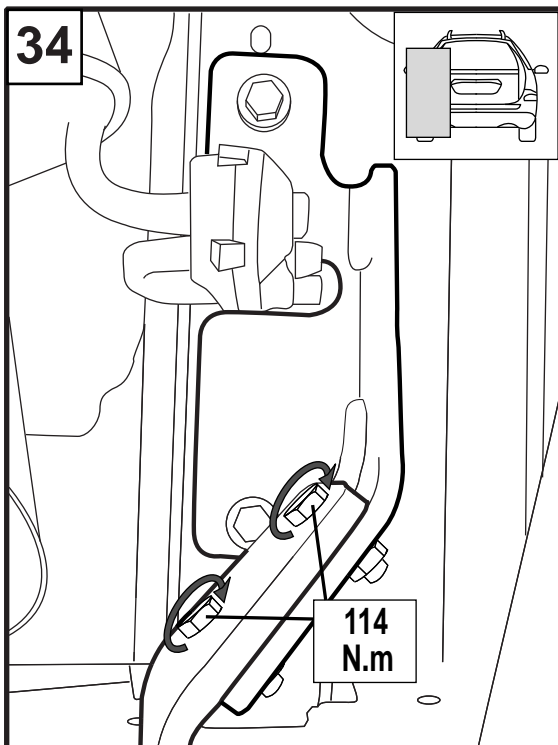
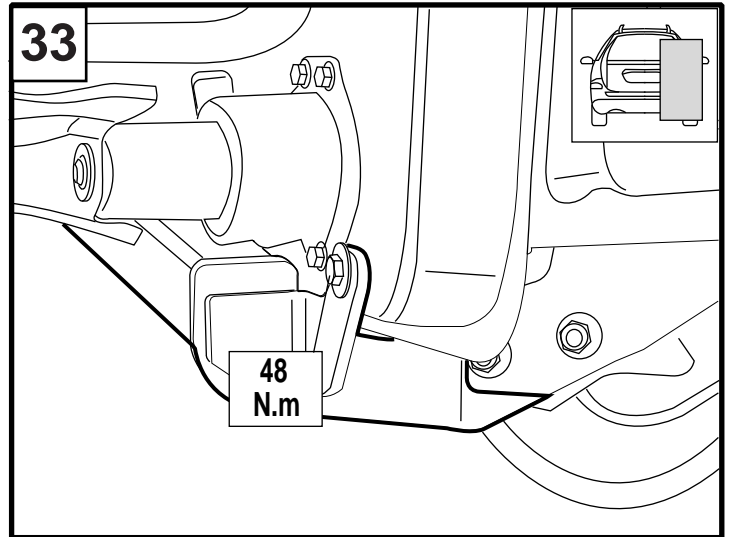
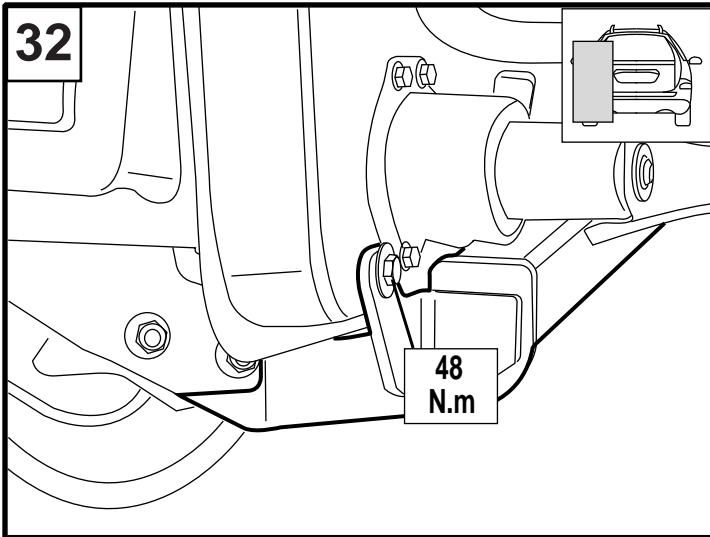
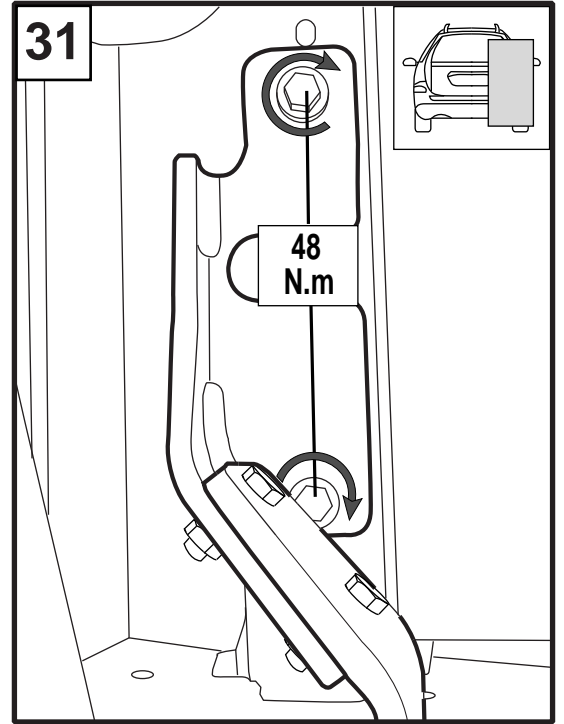
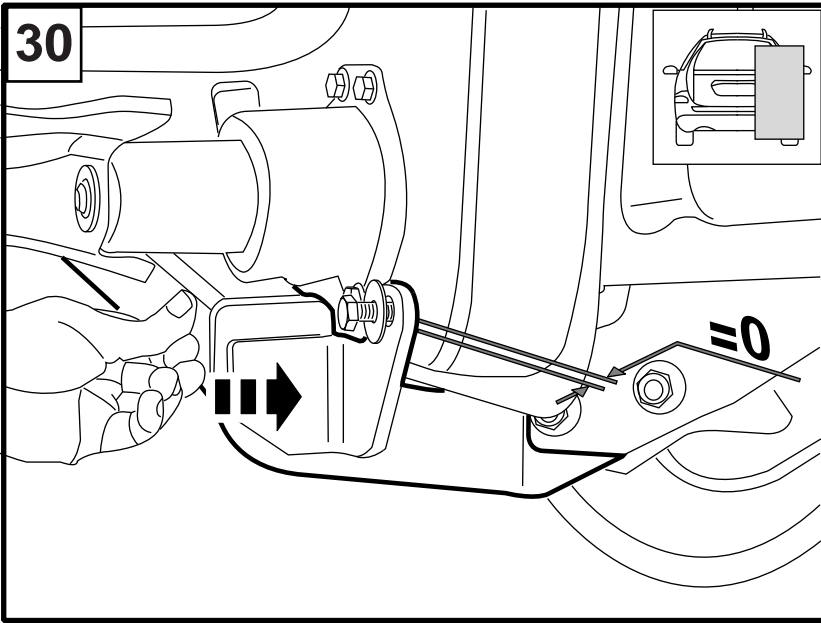


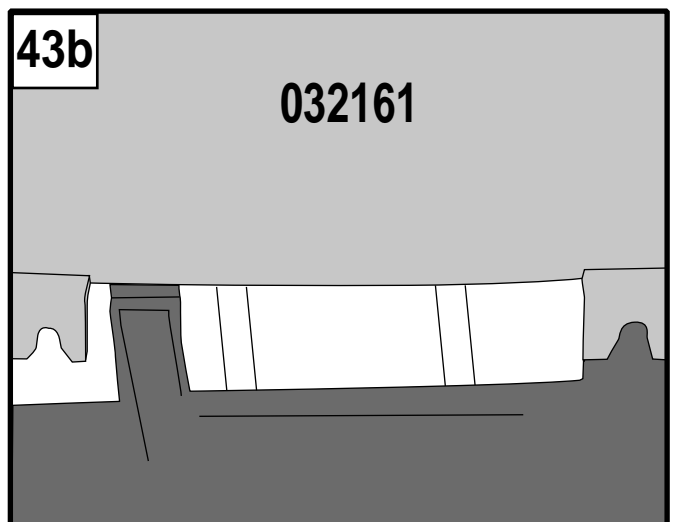
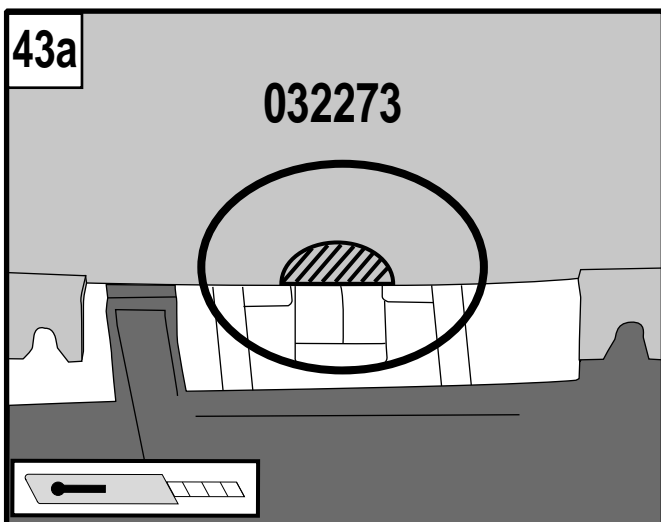
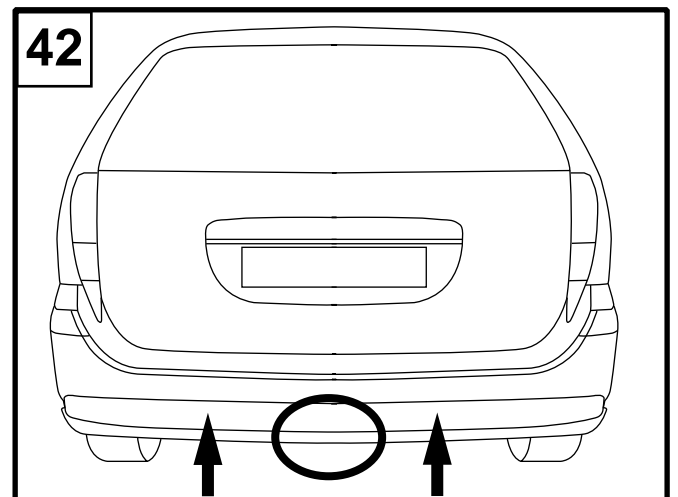
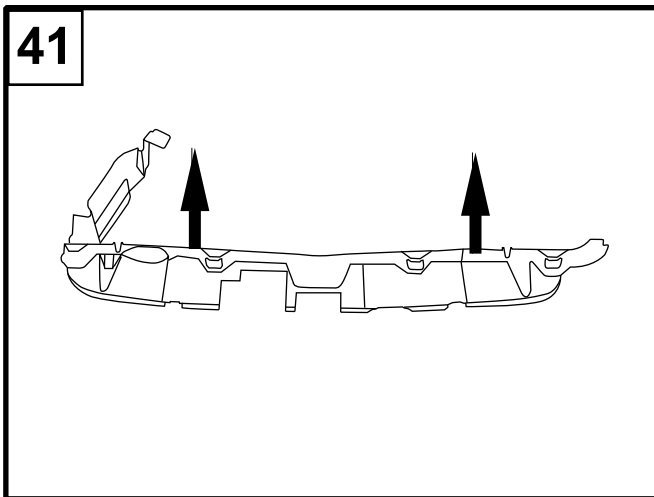
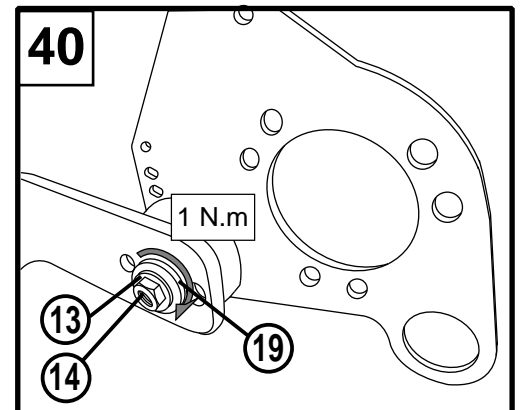
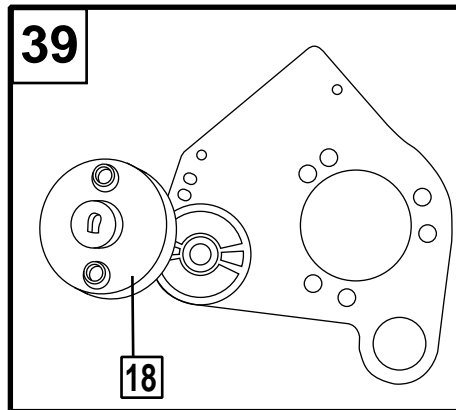
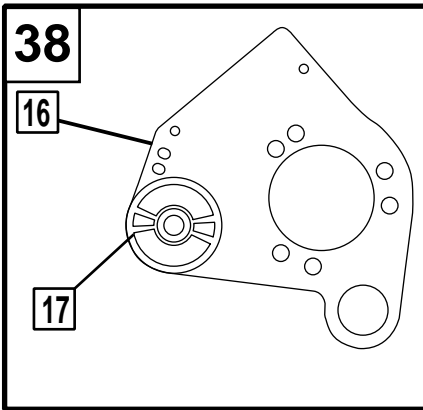
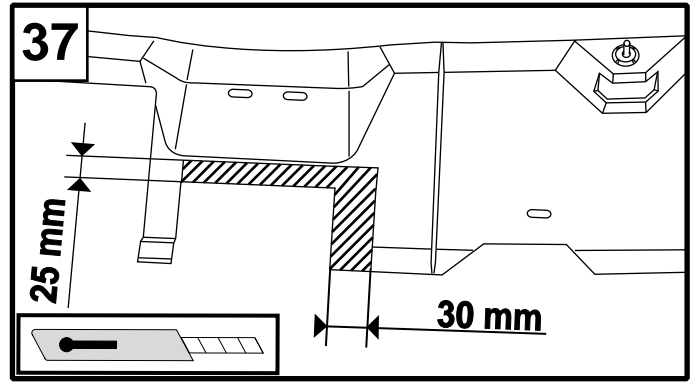
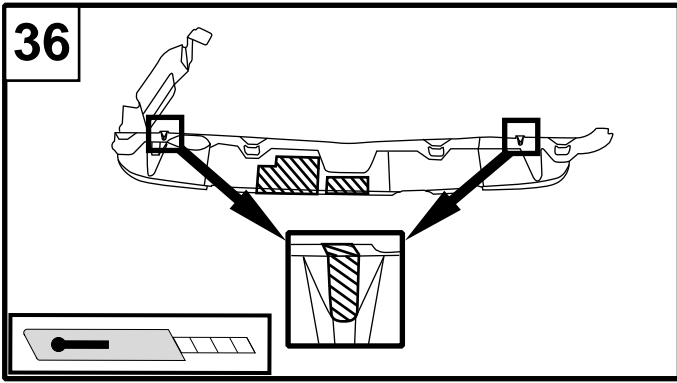




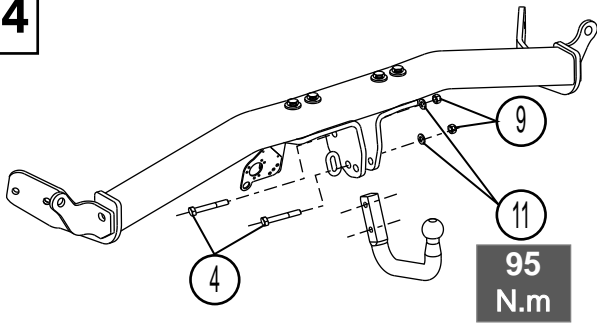






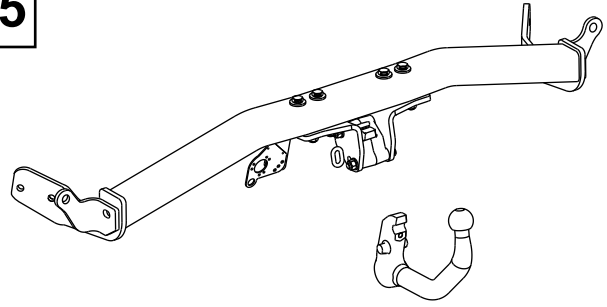


44

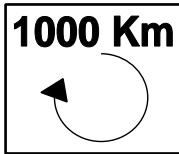
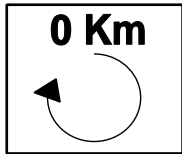


032161

45



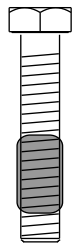
032273



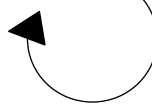
M10 : 48 N.m
 M12 : 114 N.m
 Hewistop M12 : 95 N.m



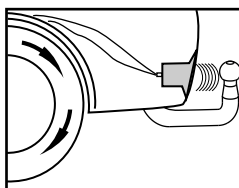
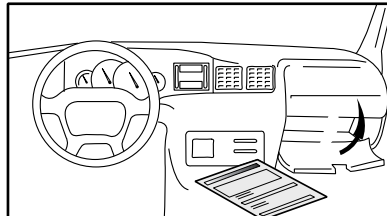
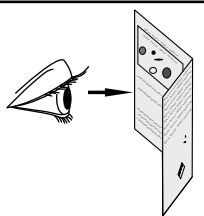
1



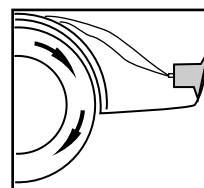
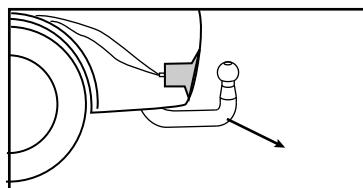
0 Km



1000 Km



bip bip



bip bip

