

---

Fitting instructions

---

Make: HYUNDAI

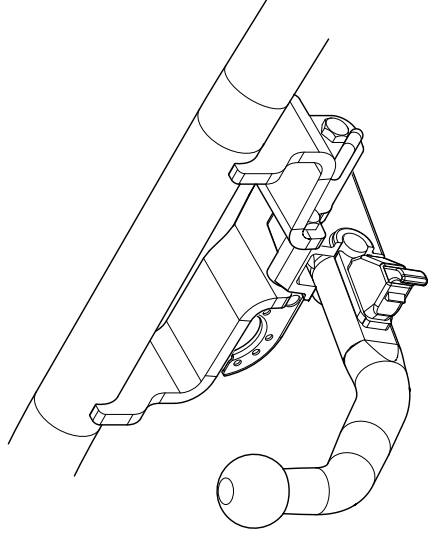
---

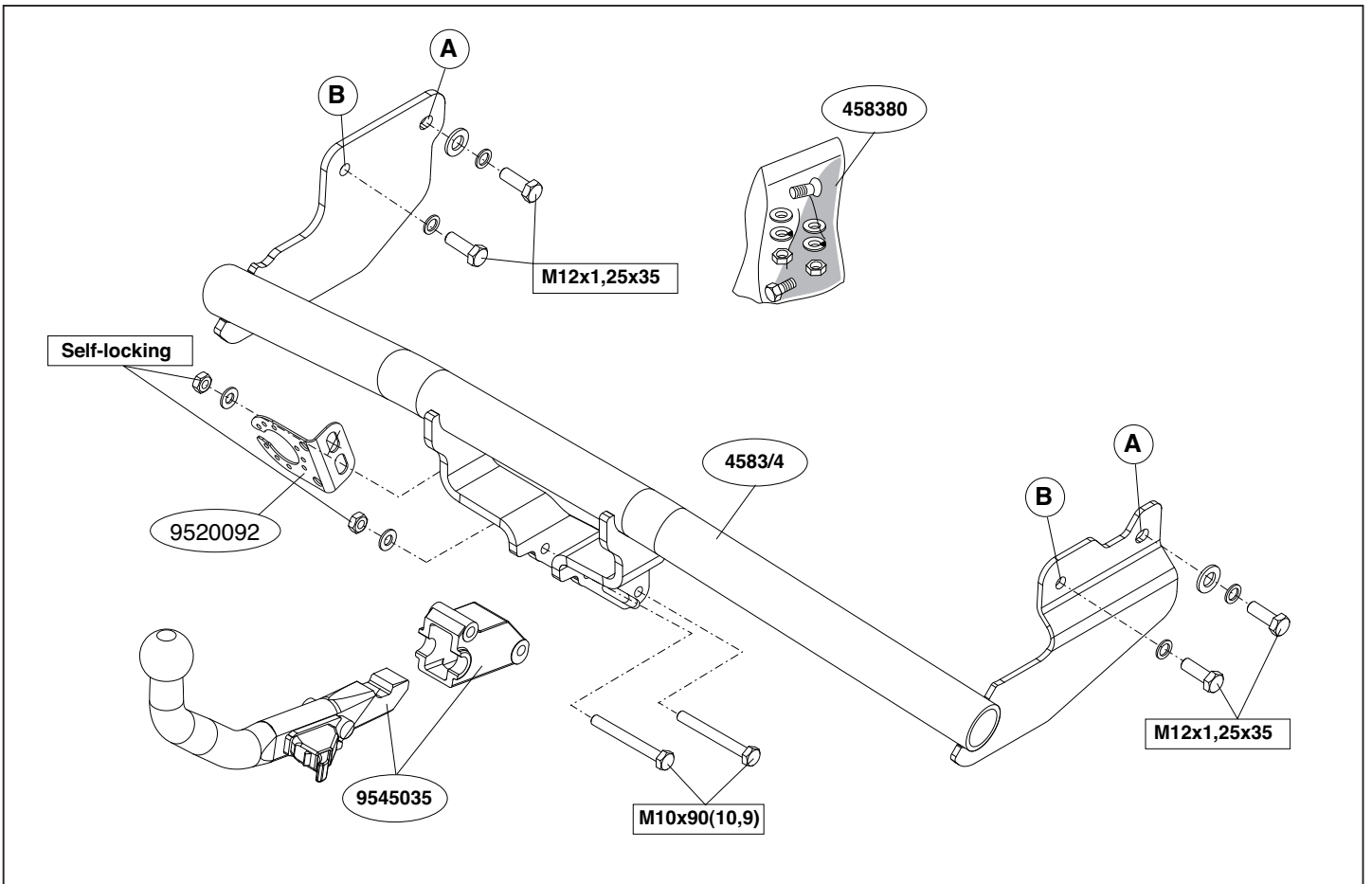
GETZ (TB); F/L 2005->

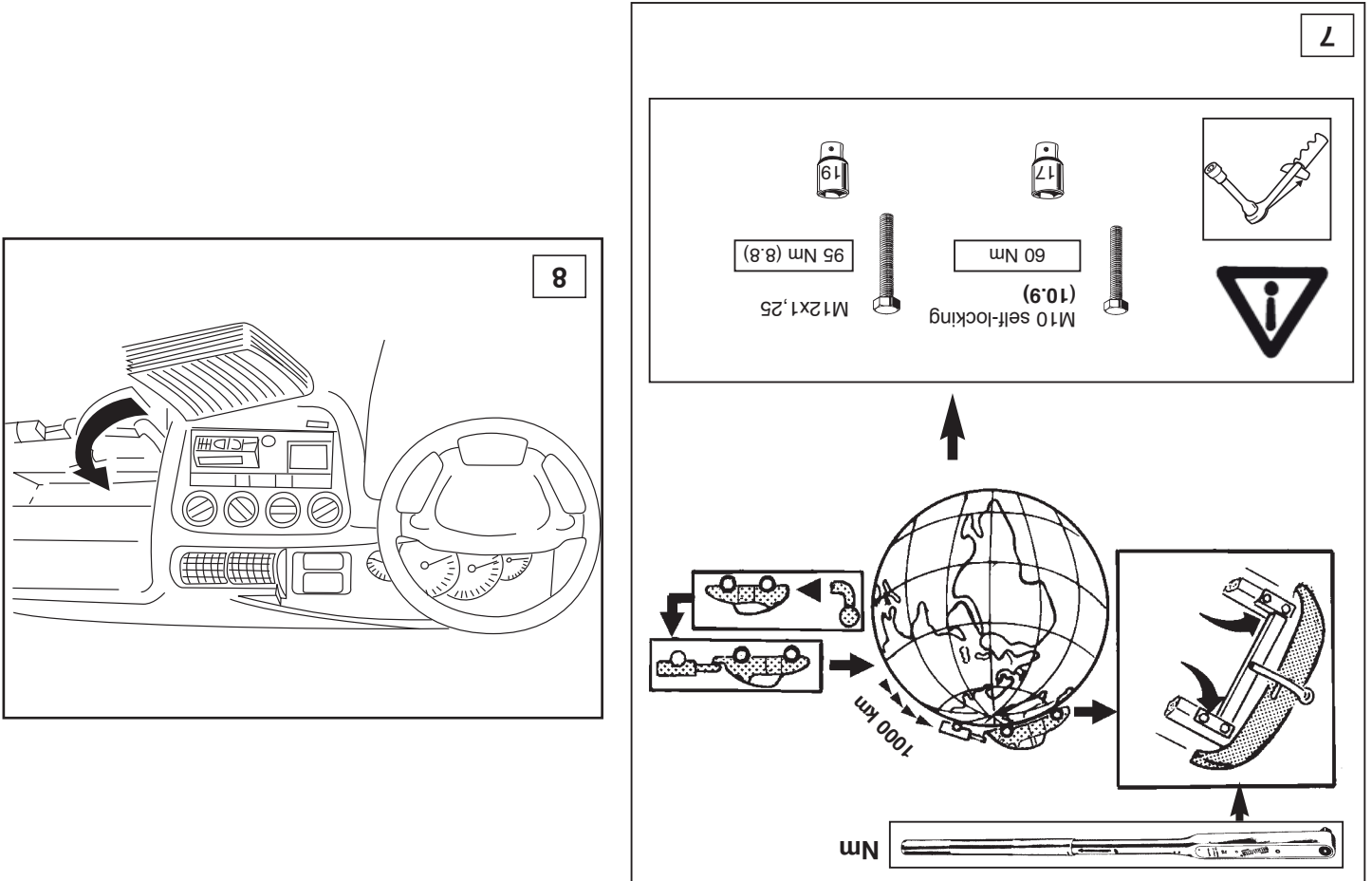
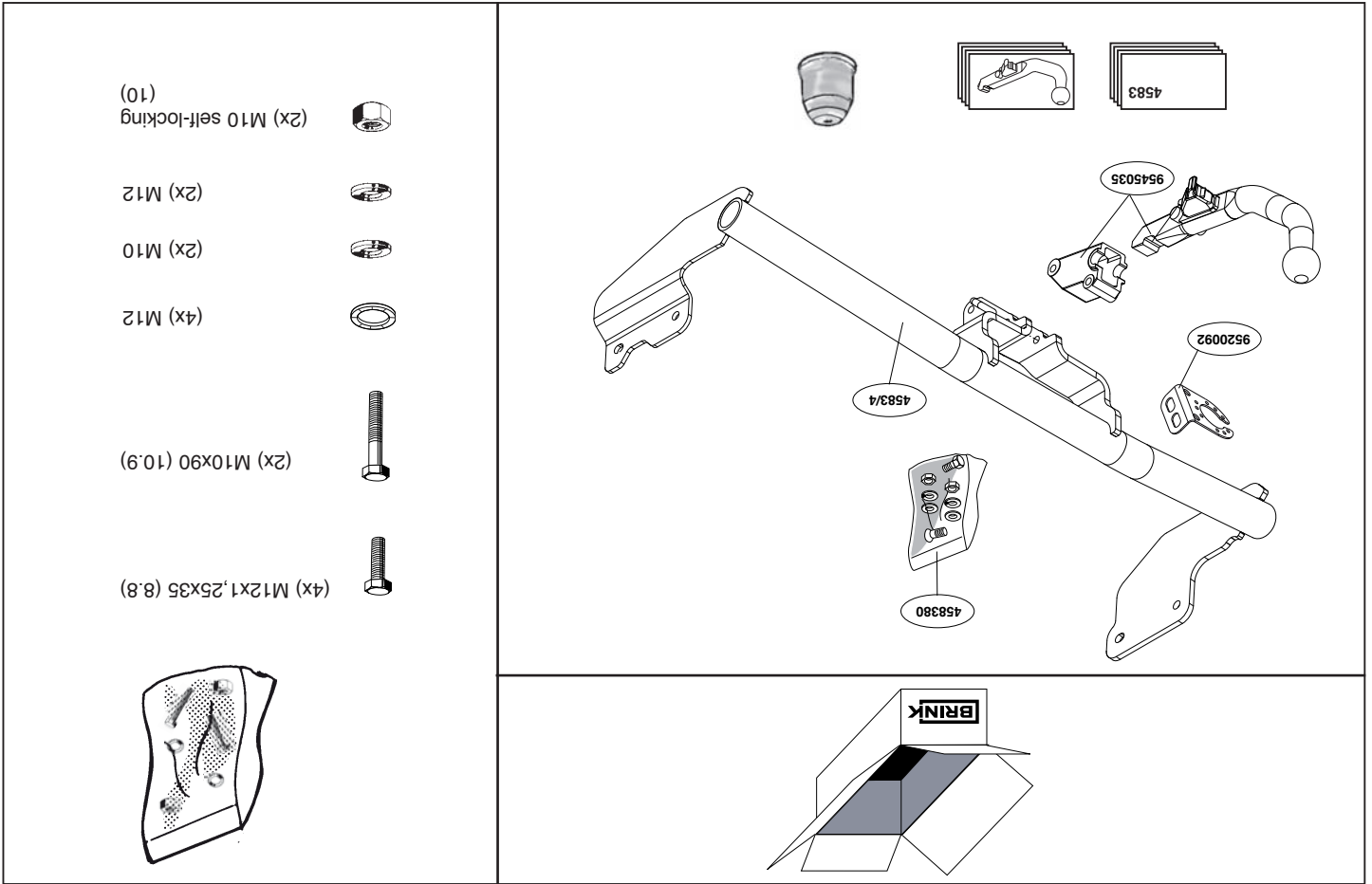
---

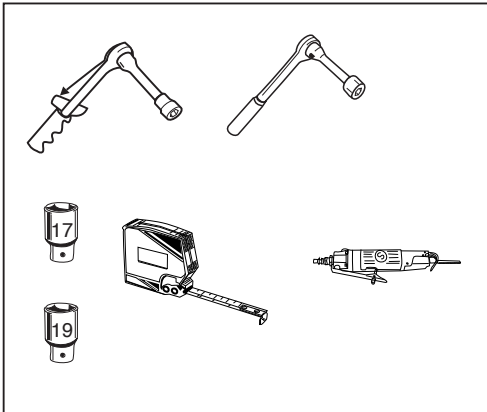
Type: 4583

---









Couplingsclass: A50-X

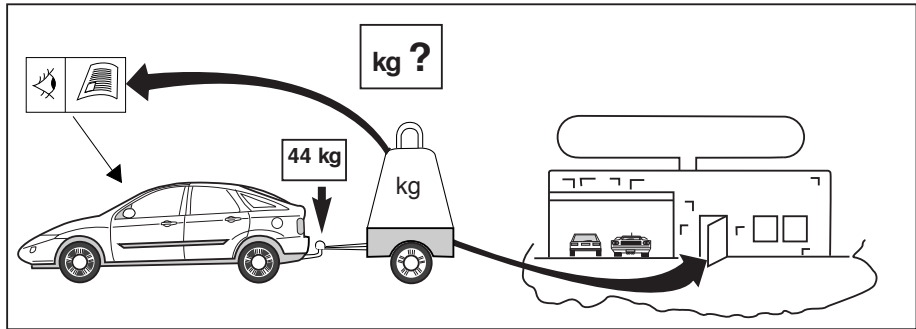
Approved

Approved

94/20/EC

e11 00-5798

**D= 6,5kN**

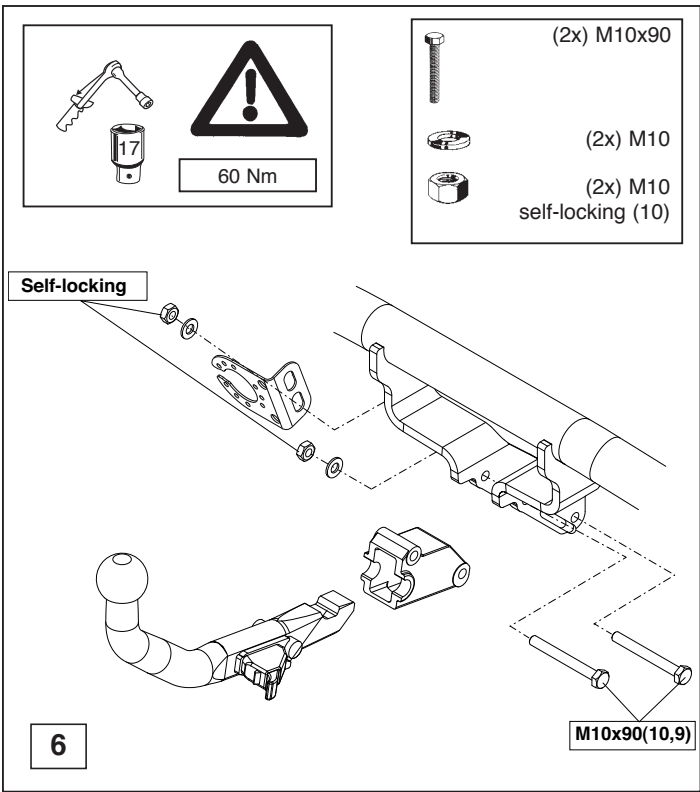
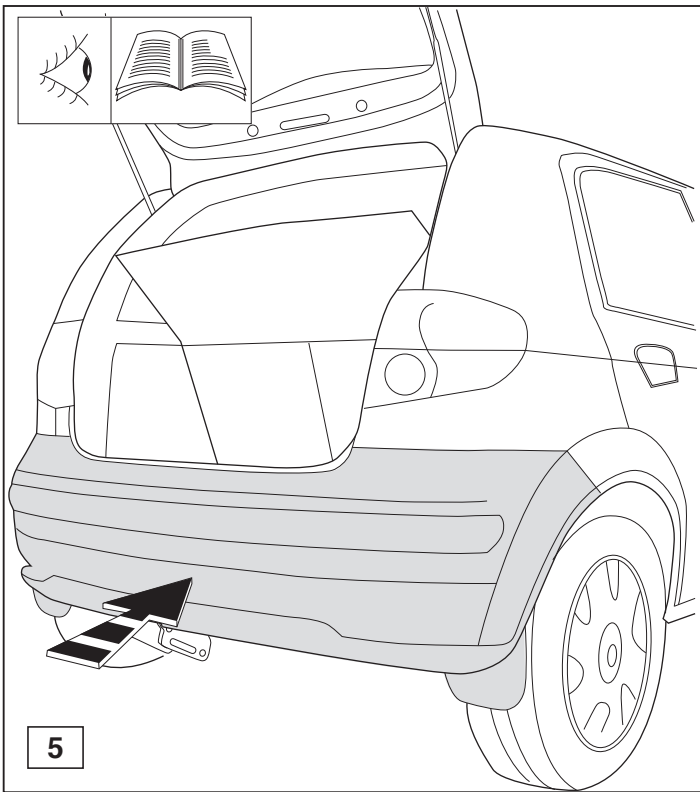


8.8

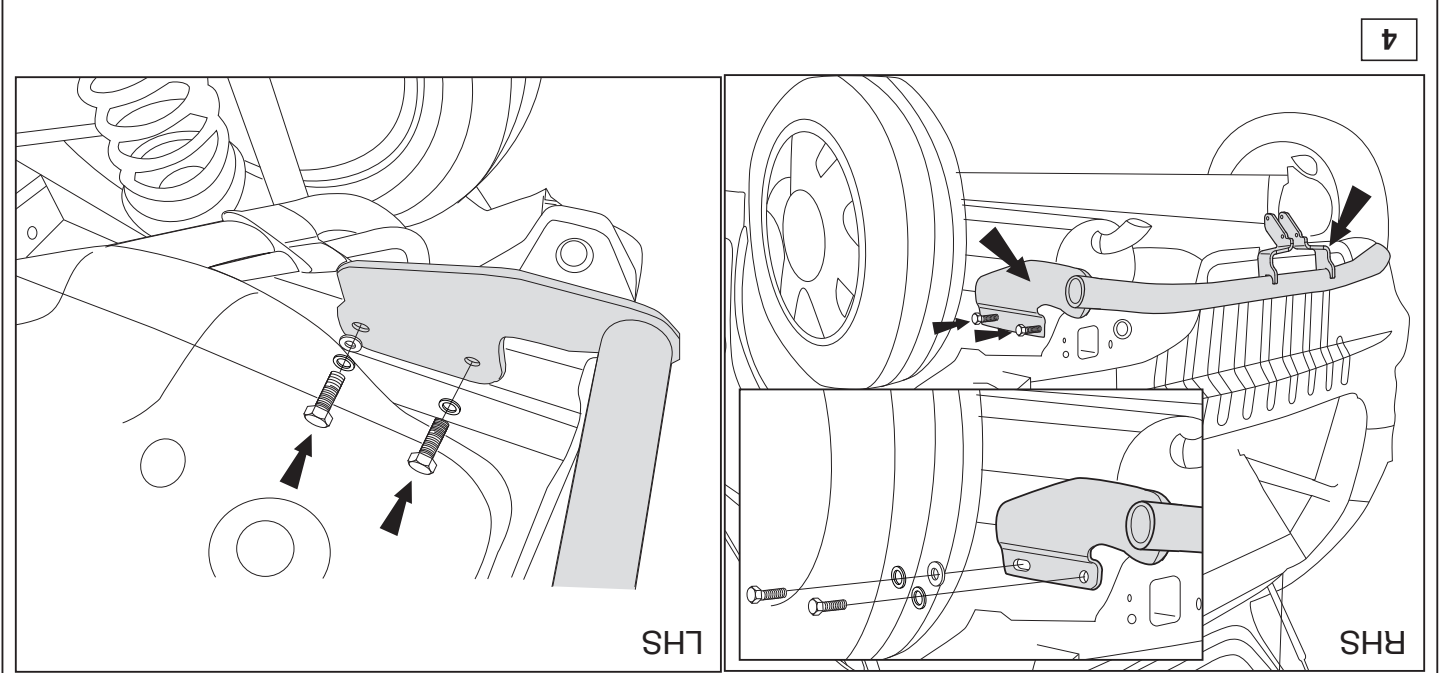
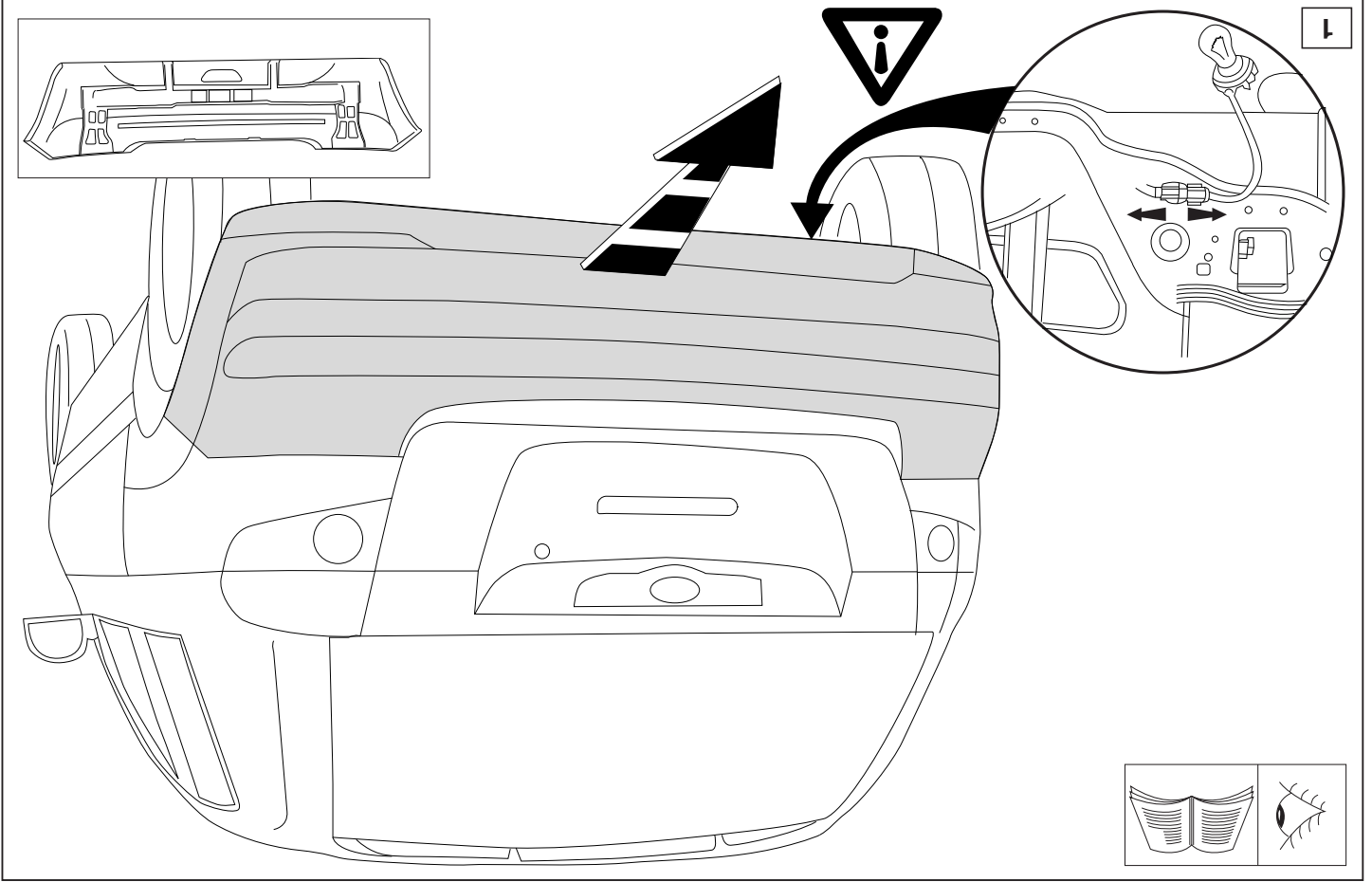
10.9

10

© 458370/02-07-2010/3



© 458370/02-07-2010/8



M12x1,25

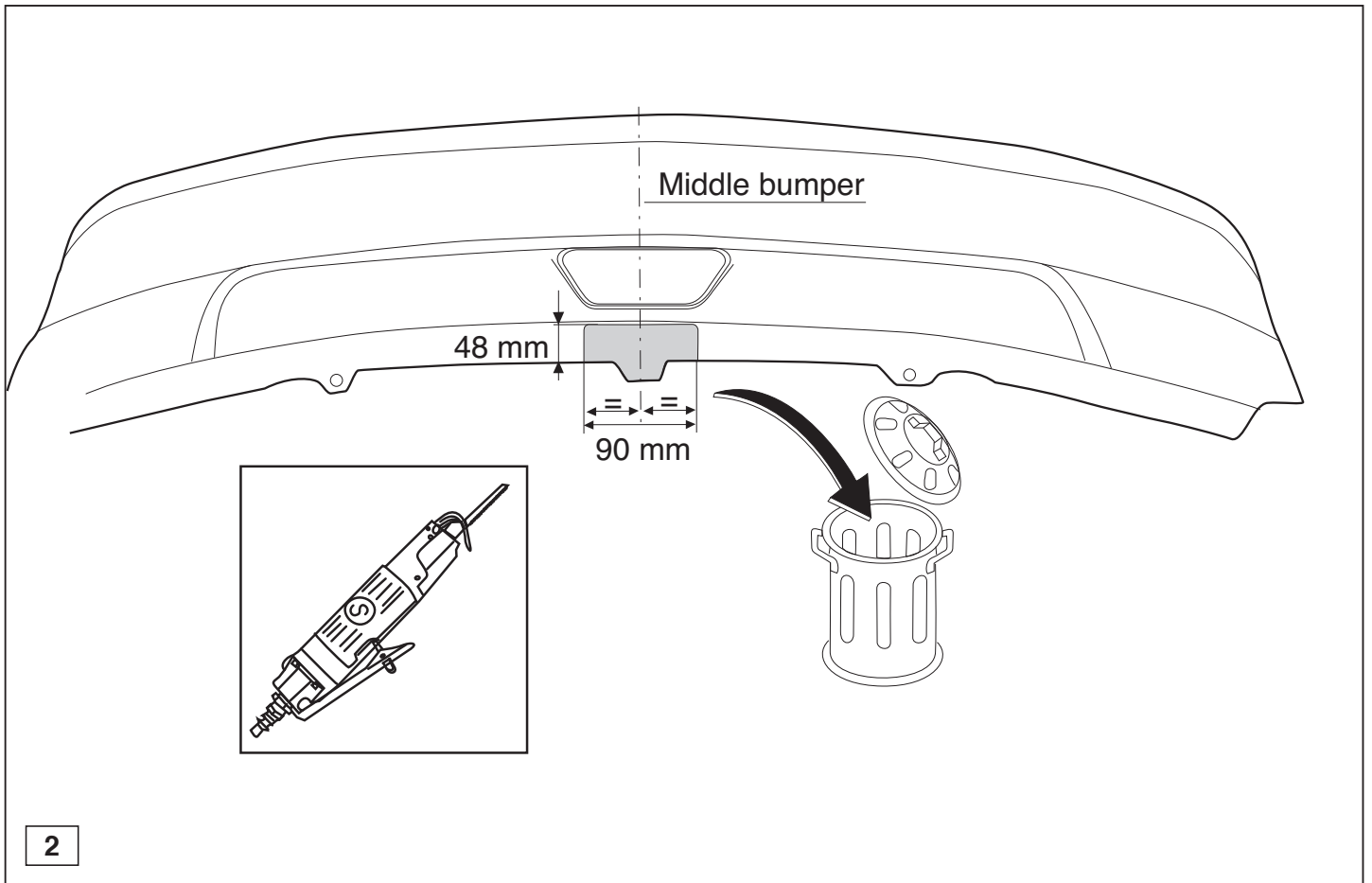
95 Nm (8.8)

19

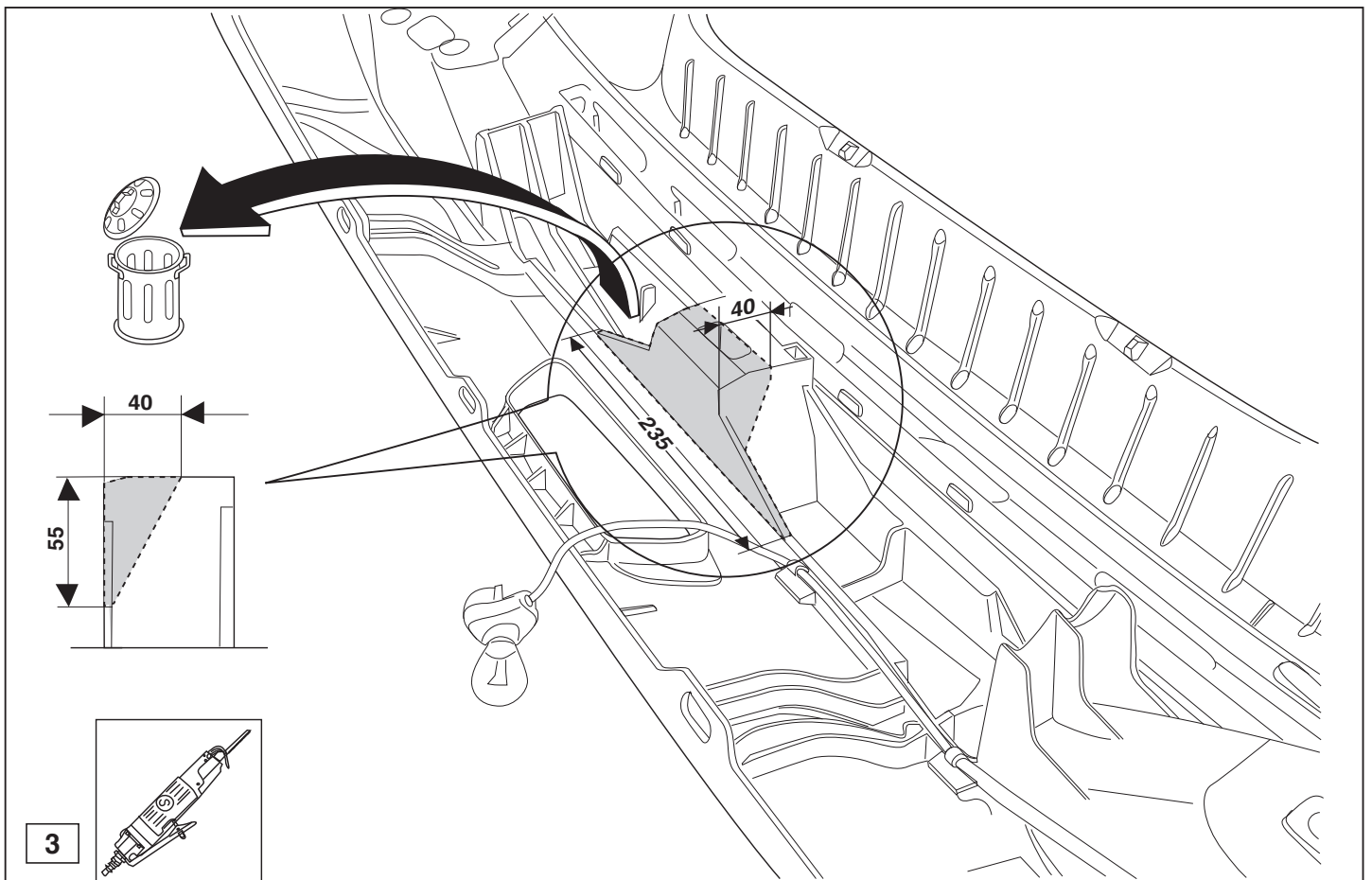
(4x) M12x1,25x35 (8.8)

(4x) M12

(2x) M12



© 458370/02-07-2010/5



© 458370/02-07-2010/6