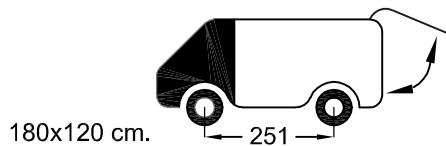
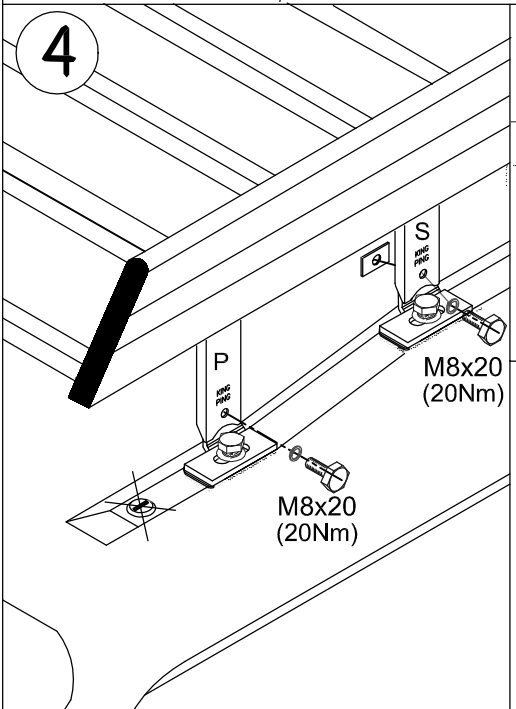
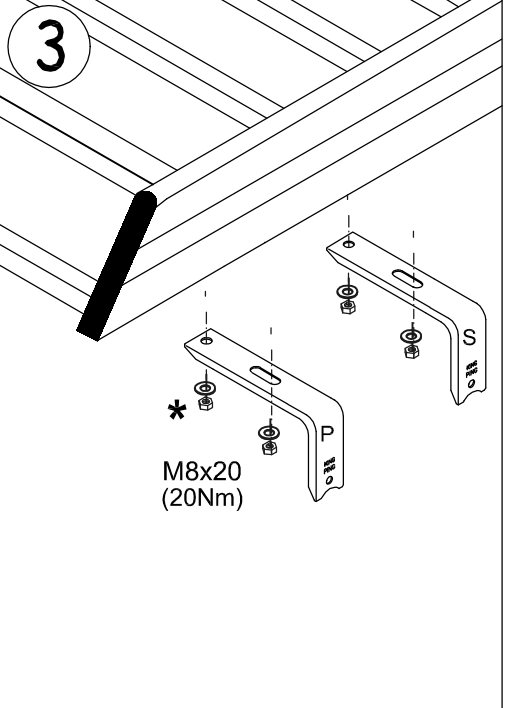
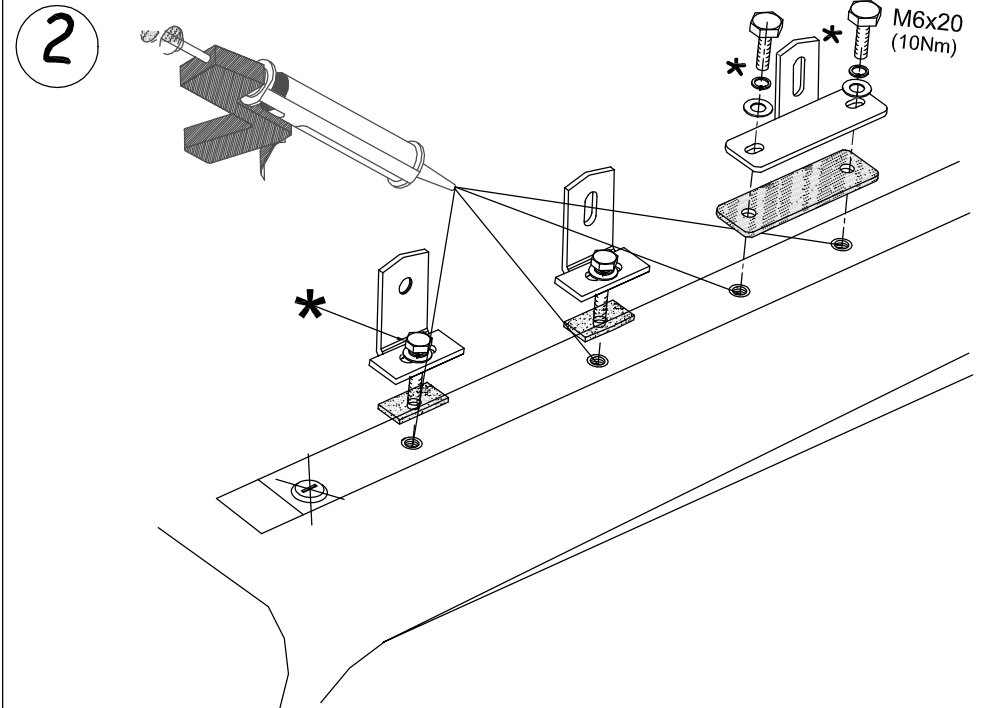
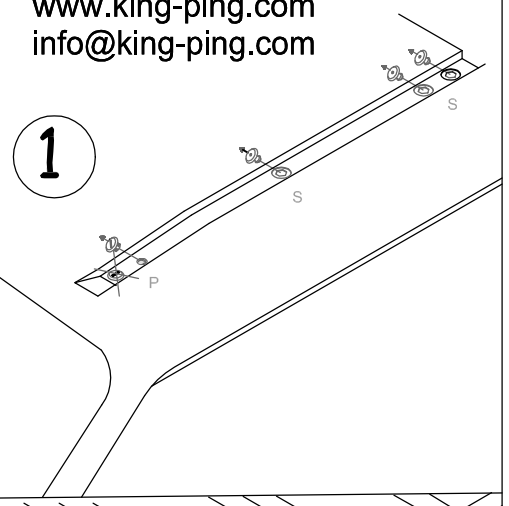


CITROEN NEMO 2008
 FIAT FIORINO 2008
 PEUGEOT BIPPER 2008



KING PING[®]
www.king-ping.com
info@king-ping.com

2x	4x	2x	2x	2x	4x
* 12x	6x	6x	12x	6x	6x
* 8x	* 8x	* 8x	* 8x	* 8x	* 8x



5

KING PING www.king-ping.nl
 Email: info@king-ping.nl

M8x20 (20Nm)

* M6x20 (10Nm)

