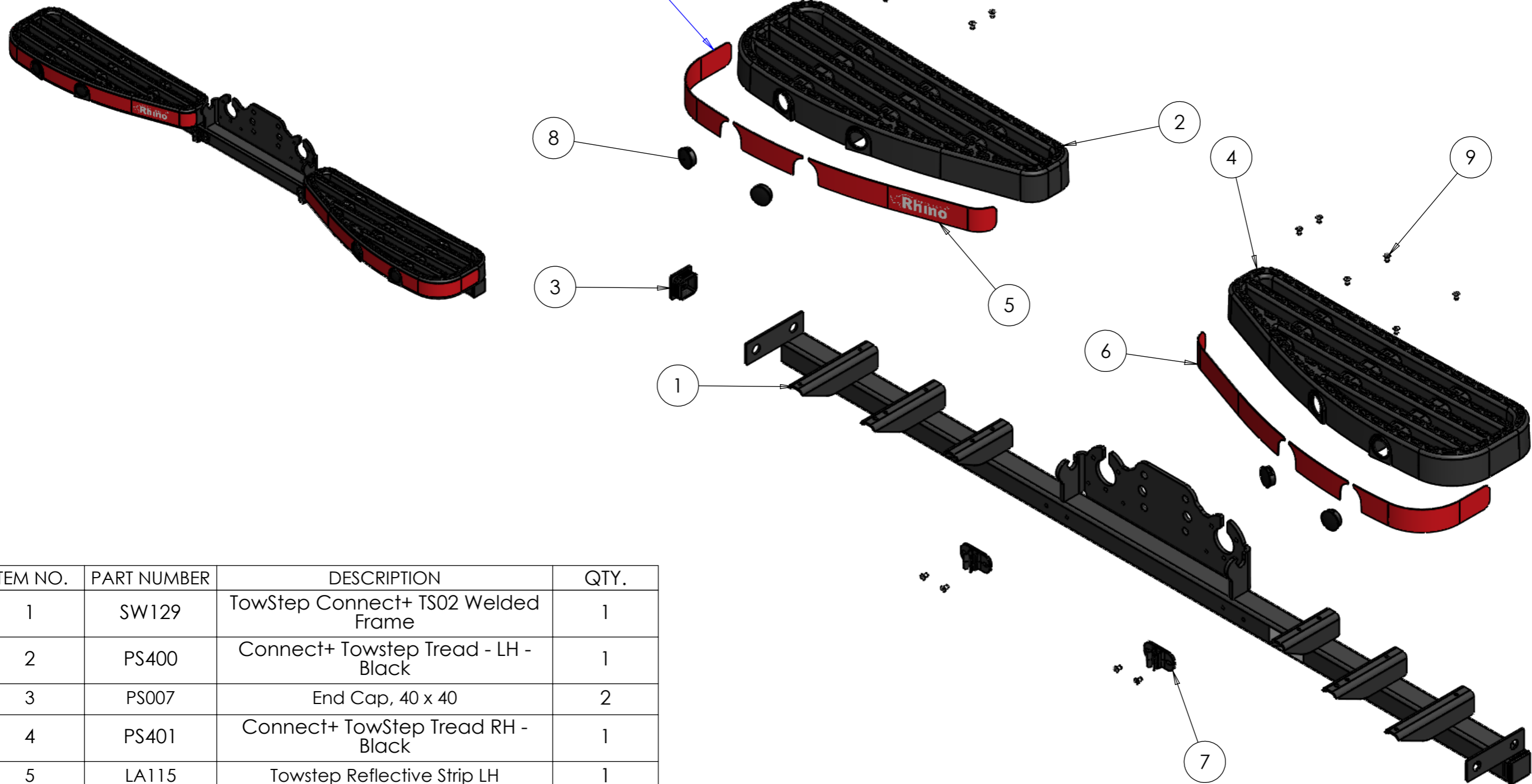


ISSUE:	DRAWN BY:	CHECKED BY:	CRF NO:	DATE:	DESCRIPTION:
d	JW	KB	1899	16/07/18	Packaging updated to new design
e	CH	KB	1918	06/08/18	Addition of detailed label application instructions to build sheets
f	EJ	KB	2065	17/01/19	Updated to display how SW129 has now replaced SW071
g	KB	AH	2134	20/05/19	PS213, PS214 & PS387 replaced with PS400, PS401 & PS406

Note: See sheet 2 for detailed reflective label application instructions



ITEM NO.	PART NUMBER	DESCRIPTION	QTY.
1	SW129	TowStep Connect+ TS02 Welded Frame	1
2	PS400	Connect+ Towstep Tread - LH - Black	1
3	PS007	End Cap, 40 x 40	2
4	PS401	Connect+ TowStep Tread RH - Black	1
5	LA115	Towstep Reflective Strip LH	1
6	LA116	Towstep Reflective Strip RH	1
7	PS224	Towstep Lock Clip	2
8	PS406	27.5mm Panel Blanking Plug	4
9	FR006	4.8 x 15mm Multigrip Pop Rivet	16



DRAWING NO:
TS02B (1 of 5)

DESCRIPTION:
TOWSTEP DB & 4 Bolt Conti G.A. Black

DESIGNED BY:
GB
22/01/16

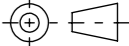
MATERIAL SIZE:
See Details

MATERIAL SPEC:
See Details

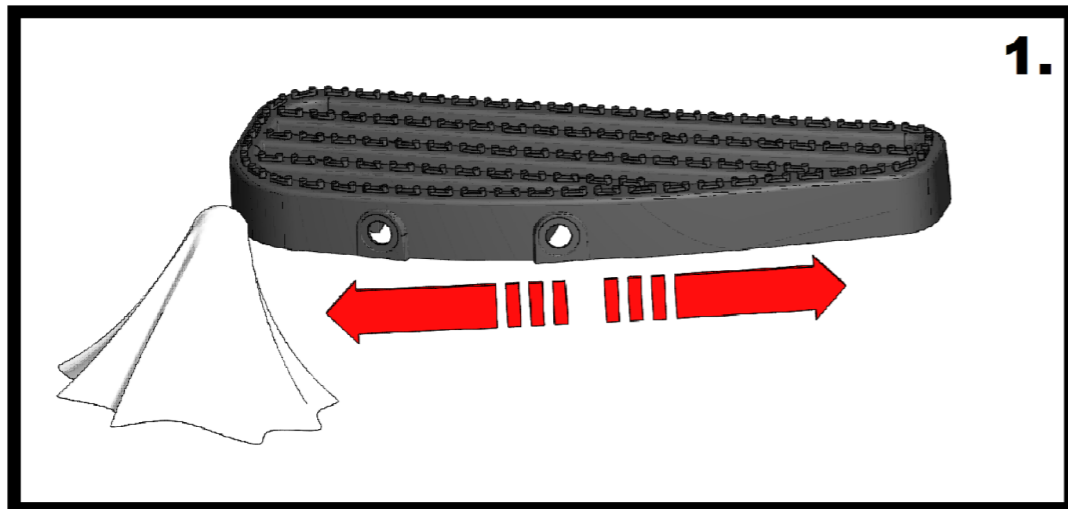
FINISH:
See Details

WEIGHT:
11.3Kg

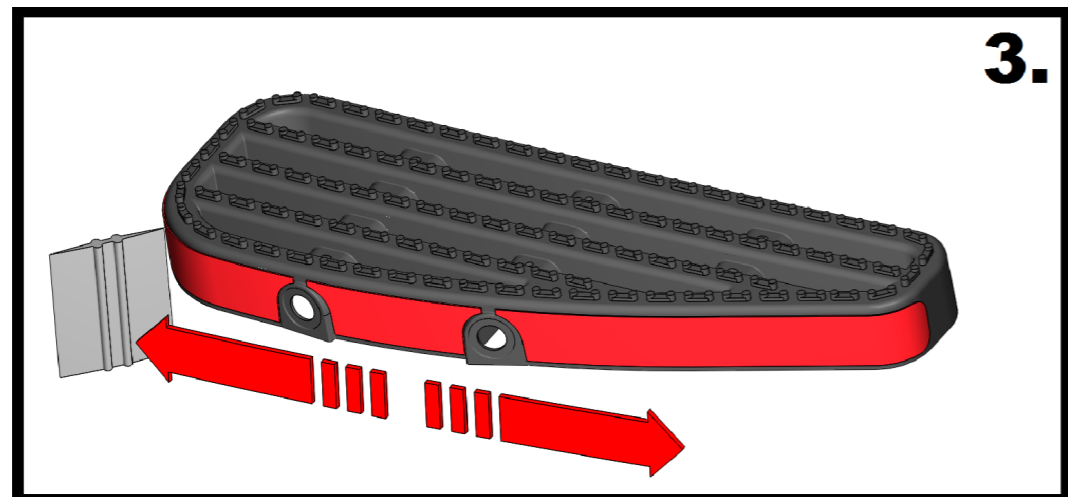
© NOTE: This drawing is the property of Rhino Products Ltd and must not be used or copied without written consent. The Rhino Products name and logo must remain clearly visible in any reproduction.

 THIRD ANGLE PROJECTION	
UNLESS OTHERWISE SPECIFIED: DIMENSIONS ARE IN MM	
0.00	±0.2
0.0	±0.5
ANG	±0.5°
DERIVED DIMENSIONS SHOWN IN BRACKETS	
DEBURR AND BREAK ALL SHARP EDGES	
SHEET SIZE A3	SHEET SCALE: 1:10

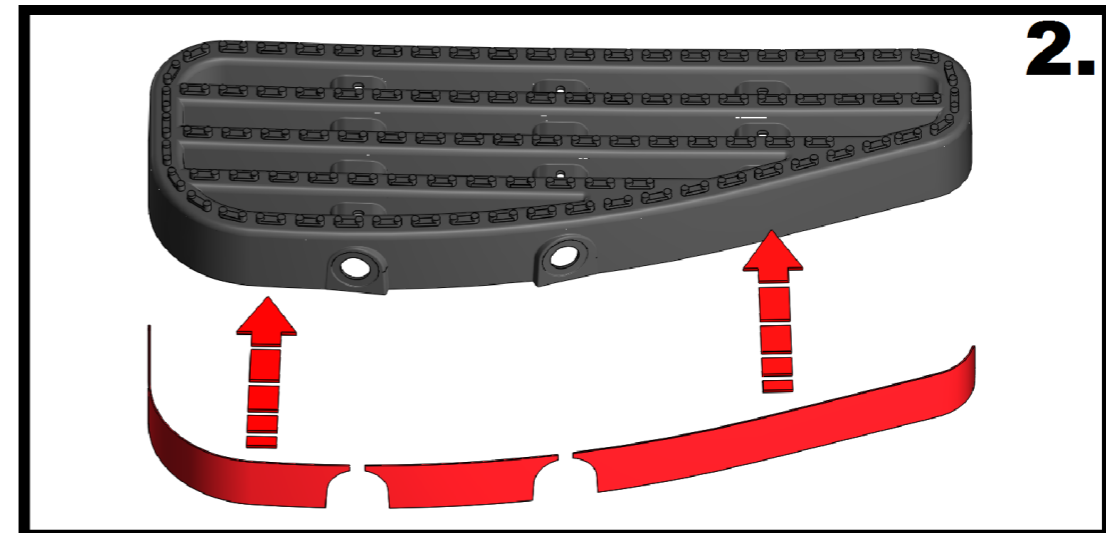
ISSUE:	DRAWN BY:	CHECKED BY:	CRF NO:	DATE:	DESCRIPTION:
d	JW	KB	1899	16/07/18	Packaging updated to new design
e	CH	KB	1918	06/08/18	Addition of detailed label application instructions to build sheets
f	EJ	KB	2065	17/01/19	Updated to display how SW129 has now replaced SW071
g	KB	AH	2134	20/05/19	PS213, PS214 & PS387 replaced with PS400, PS401 & PS406



Scrub face of tread thoroughly with alcohol wipes to remove all contaminants, and then allow any excess alcohol to evaporate.



Use squeegee to press label firmly on to tread and ensure there are no air bubbles.
The label must be sealed completely around the outside edge.

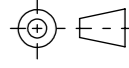


Apply label evenly and centrally to all treads, ensuring there is no damage or creasing to the label.

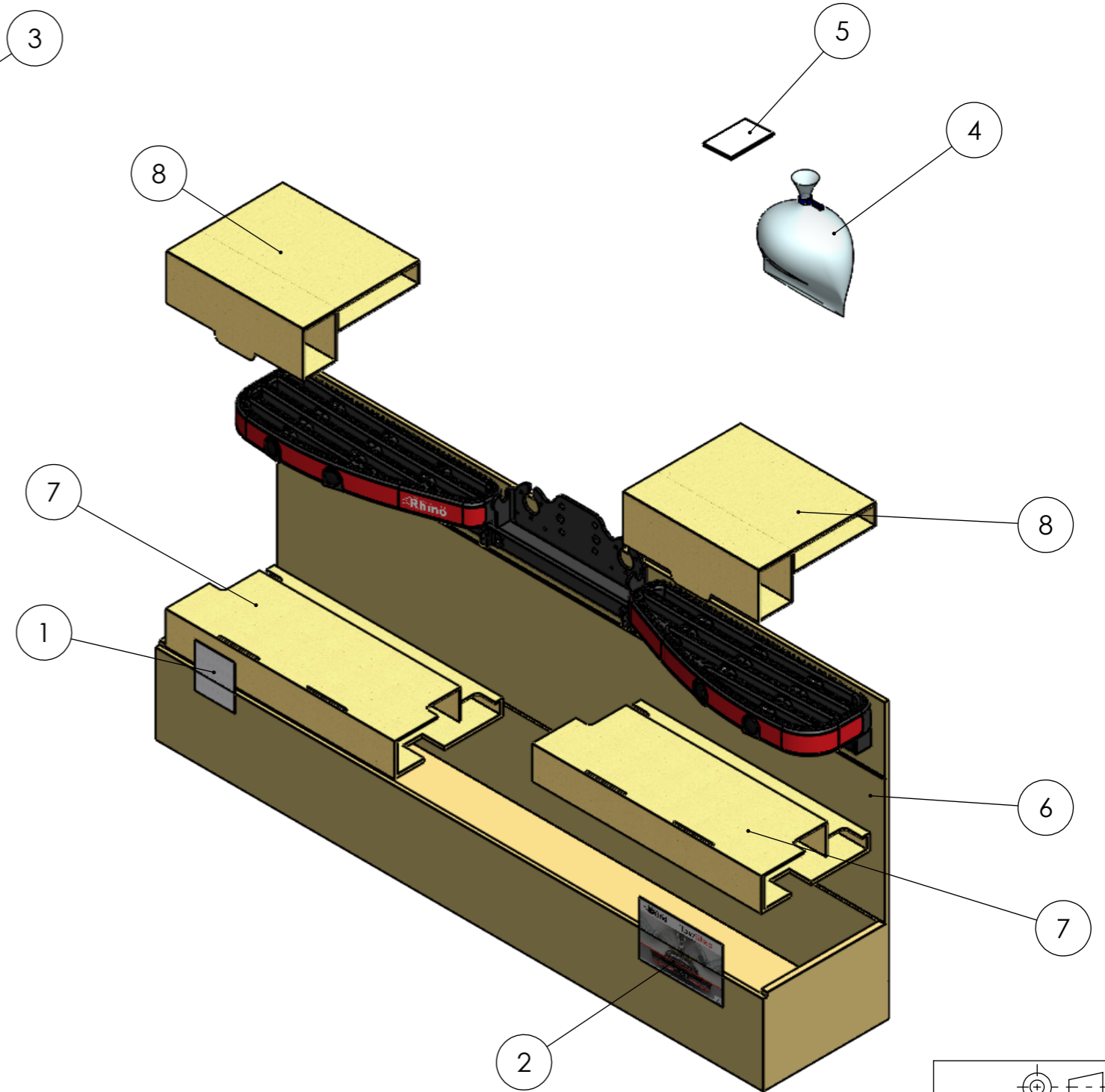
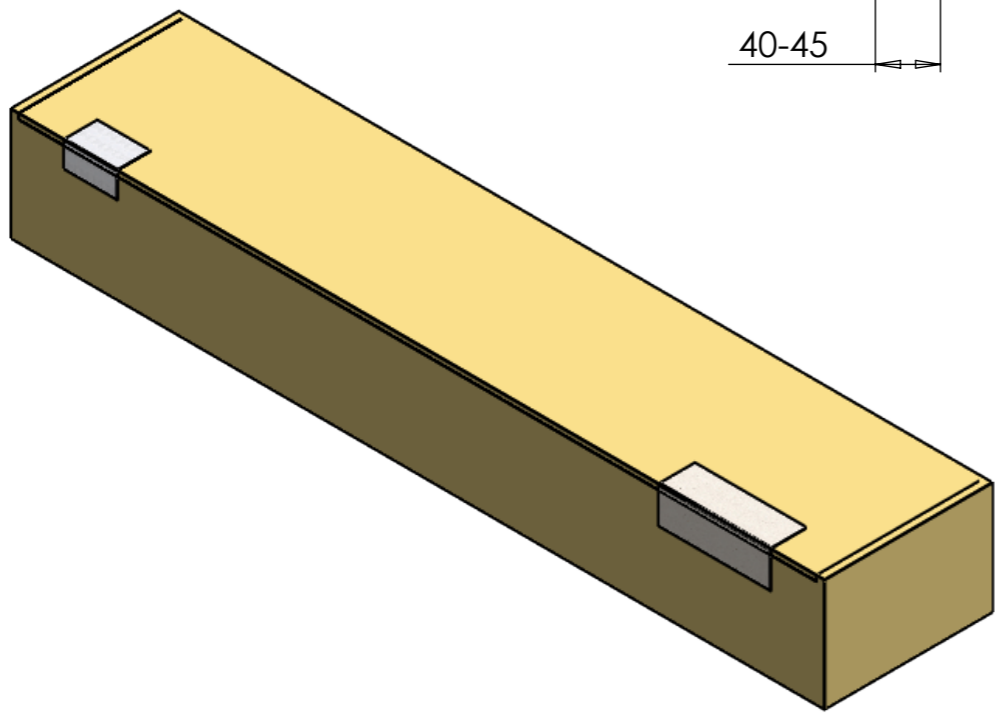
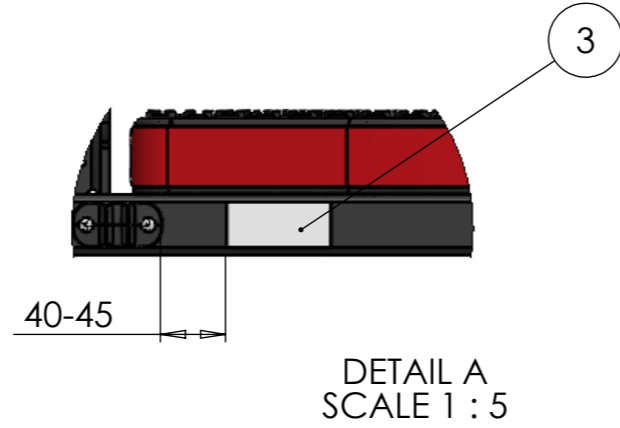
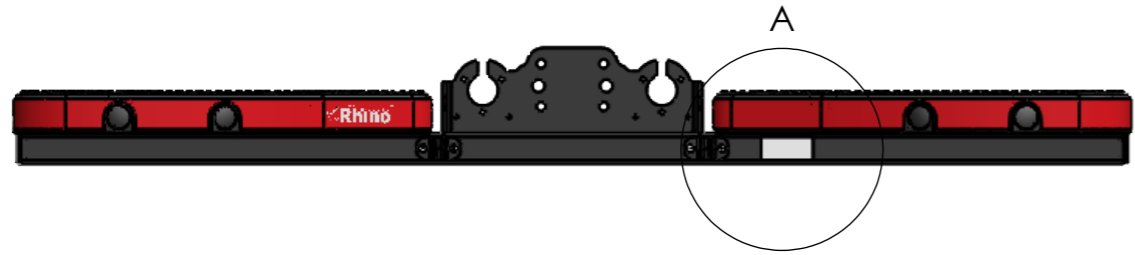
- DO NOT Wipe the surface with anything else after the alcohol wipe has been used.**
- DO NOT Leave the alcohol wipe container open as this will allow the alcohol to evaporate - If this happens the Quality dept. can resaturate the wipes.**
- If the step is wiped and the residue does not, or is slow to evaporate it is likely the wipes have been left open and need to be resaturated with alcohol.**




DRAWING NO: TS02B (2of5)	DESCRIPTION: TOWSTEP DB & 4 Bolt Conti G.A. Black	DESIGNED BY: GB 22/01/16
MATERIAL SIZE: See Details	MATERIAL SPEC: See Details	FINISH: See Details
© NOTE: This drawing is the property of Rhino Products Ltd and must not be used or copied without written consent. The Rhino Products name and logo must remain clearly visible in any reproduction.		WEIGHT: 11.3Kg

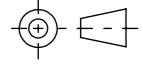
 THIRD ANGLE PROJECTION	
UNLESS OTHERWISE SPECIFIED: DIMENSIONS ARE IN MM	
0.00	±0.2
0.0	±0.5
ANG	±0.5°
DERIVED DIMENSIONS SHOWN IN BRACKETS	
DEBURR AND BREAK ALL SHARP EDGES	
SHEET SIZE A3	SHEET SCALE: 1:4

ISSUE:	DRAWN BY:	CHECKED BY:	CRF NO:	DATE:	DESCRIPTION:
d	JW	KB	1899	16/07/18	Packaging updated to new design
e	CH	KB	1918	06/08/18	Addition of detailed label application instructions to build sheets
f	EJ	KB	2065	17/01/19	Updated to display how SW129 has now replaced SW071
g	KB	AH	2134	20/05/19	PS213, PS214 & PS387 replaced with PS400, PS401 & PS406



ITEM NO.	PART NUMBER	DESCRIPTION	Box exploded/QTY.
1	LA038	Printed Label, Kit Box	1
2	LA128	Towstep Box label TS02	1
3	LA124	Towstep TUV label	1
4	FK874	Towstep Fitting Kit.	1
5	INTS02	Towstep Instructions	1
6	PA317	Towstep Box Outer	1
7	PA318	Towstep Lower Insert	2
8	PA319	Towstep Upper Insert	2

	DRAWING NO: TS02B (3of5)	DESCRIPTION: TOWSTEP DB & 4 Bolt Conti G.A. Black	DESIGNED BY: GB 22/01/16
	MATERIAL SIZE: See Details	MATERIAL SPEC: See Details	FINISH: See Details
© NOTE: This drawing is the property of Rhino Products Ltd and must not be used or copied without written consent. The Rhino Products name and logo must remain clearly visible in any reproduction.			

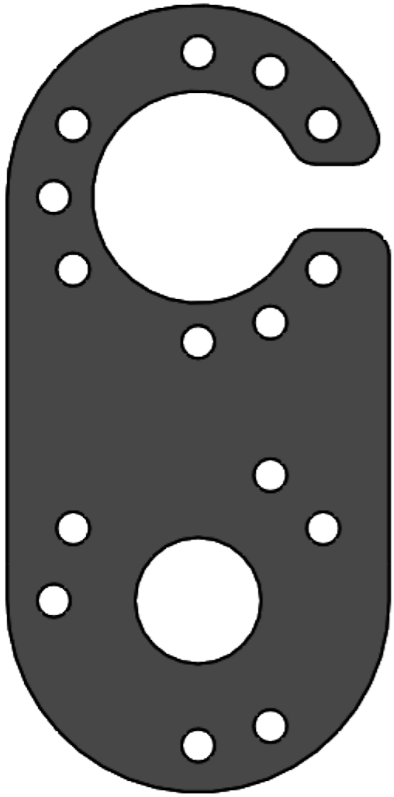

 THIRD ANGLE PROJECTION

UNLESS OTHERWISE SPECIFIED:
 DIMENSIONS ARE IN MM
 0.00 ±0.2
 0.0 ±0.5
 ANG ±0.5°
 DERIVED DIMENSIONS SHOWN IN BRACKETS

DEBURR AND BREAK
 ALL SHARP EDGES

SHEET SIZE A3 | SHEET SCALE: 1:10

MS504 Electric Plate x 1



FS137 M5 x 40 screw x 3



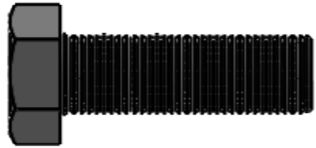
FS140 M5 x 16 screw x 3



FN029 M5 Nut x 6



FS132 (M16 x 50) Grade 10.9 x 2



FW024 (M16) External tooth washer x 2



TS02B (M16 x 50) Grade 10 x 2



FS136 (M10 x 50) Grade 10.9 x 4



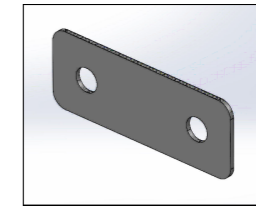
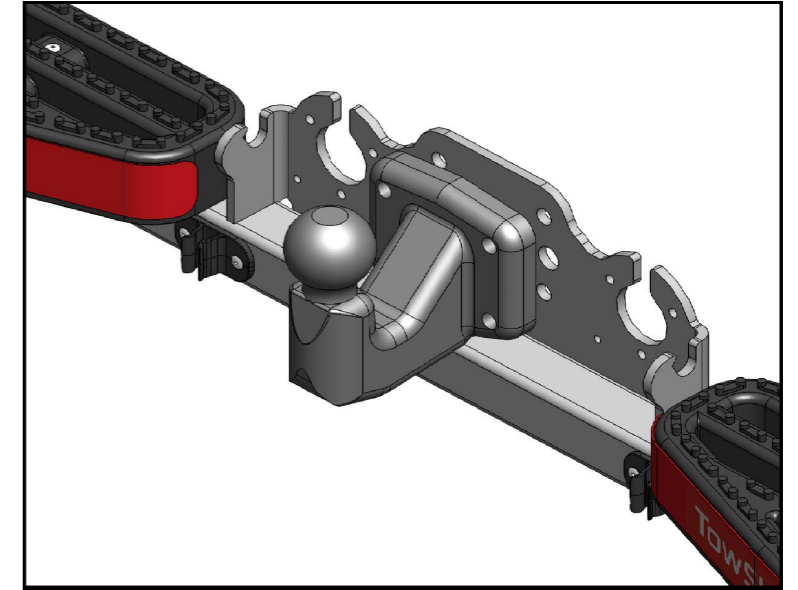
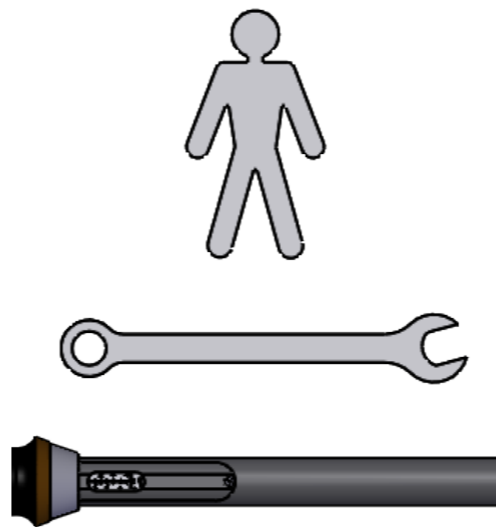
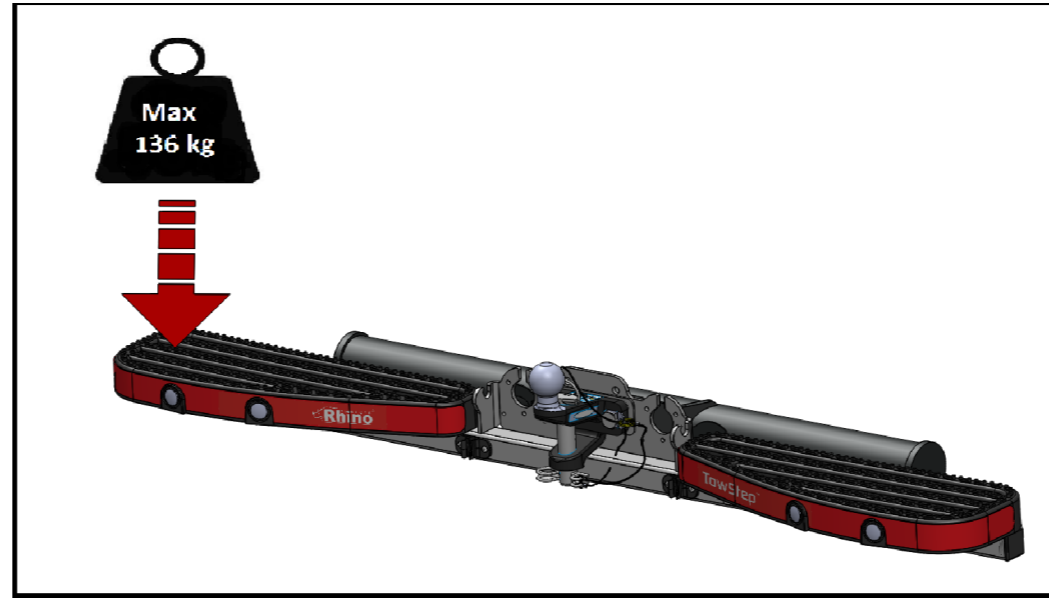
FW023 (M10) External tooth washer x 4



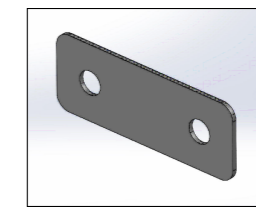
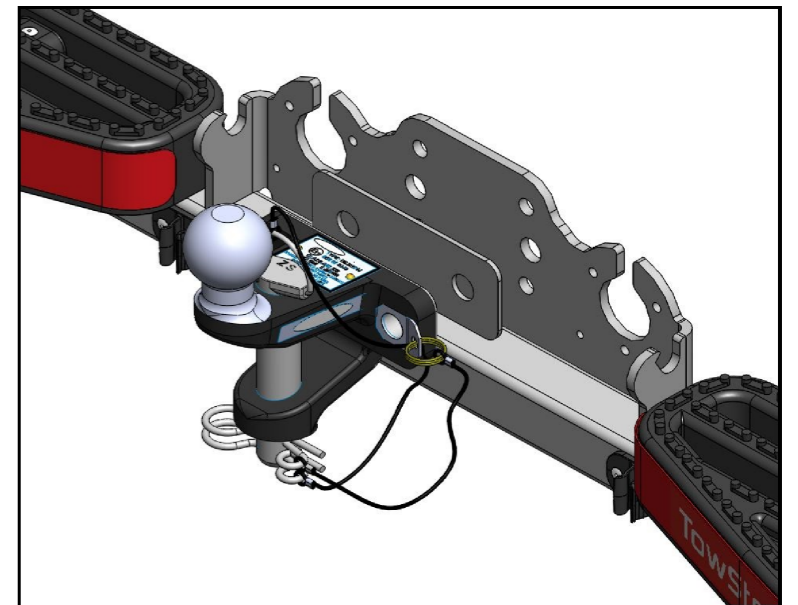
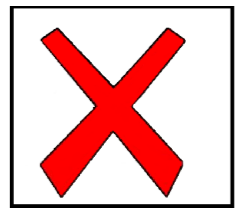
FN045 (M10) Nut x 4



MS492 Packer Plate x 1



MS492



MS492

